

DEWALT®

XR®



CE

UK
CA



EAC



DWST08061

www.DEWALT.com

English (original instructions)	3
--	---

Русский (<i>перевод с оригинала инструкции</i>)	11
---	----

Українська (<i>переклад з оригінальної інструкції</i>)	24
--	----

Fig. A

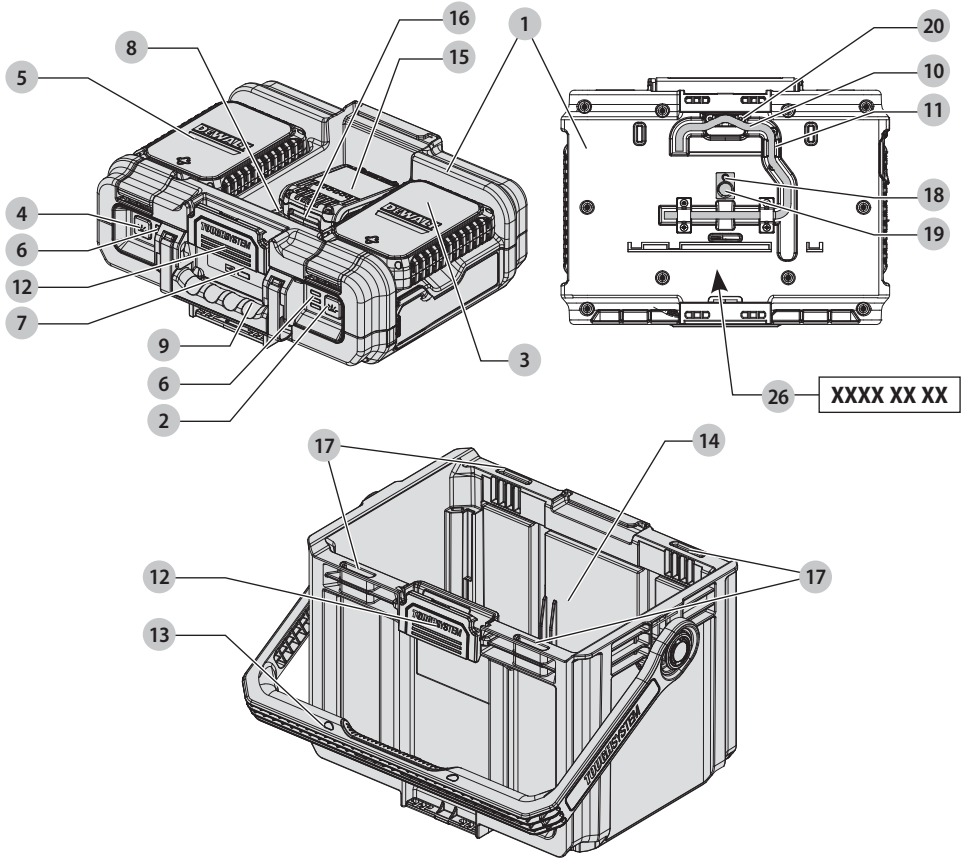


Fig. B

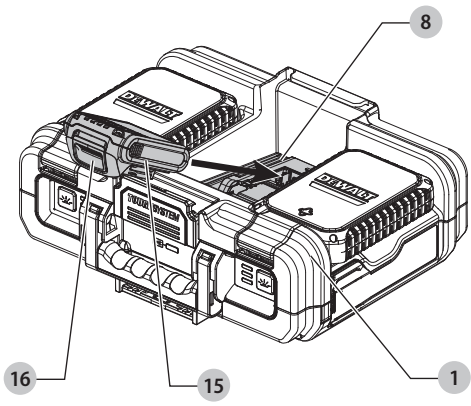


Fig. C

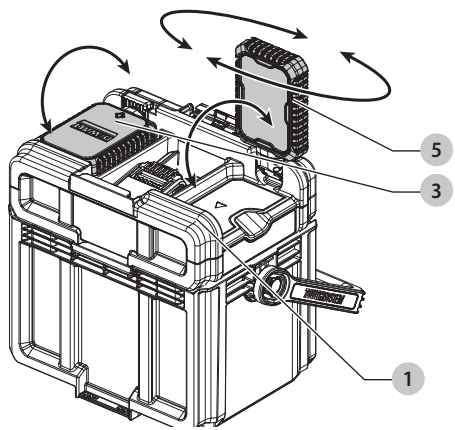


Fig. D

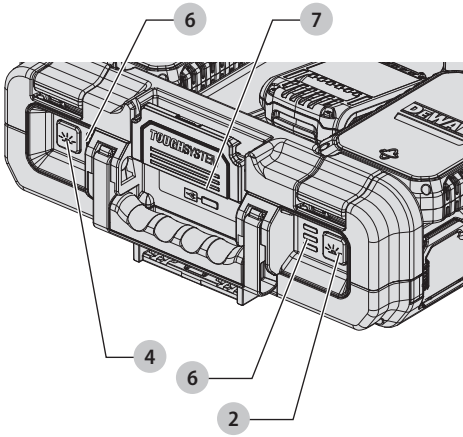


Fig. E

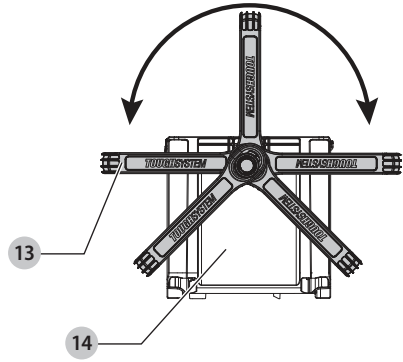


Fig. F

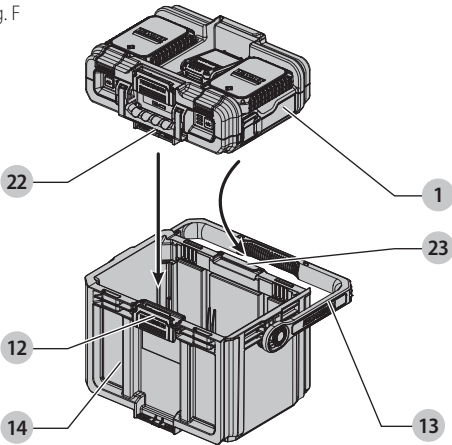


Fig. G

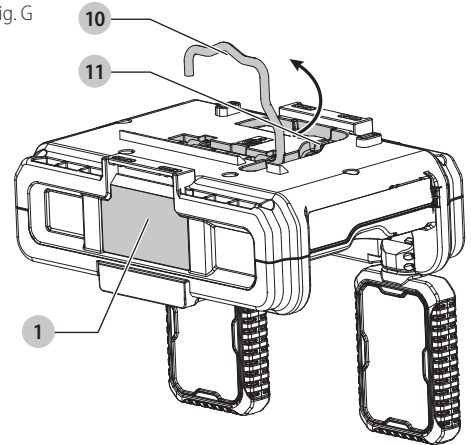


Fig. H

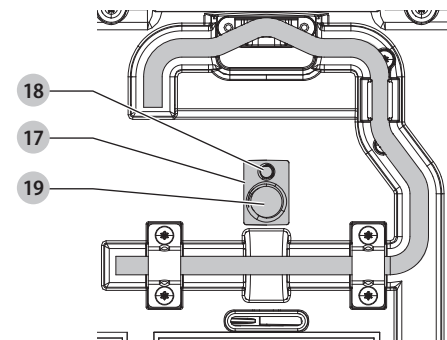
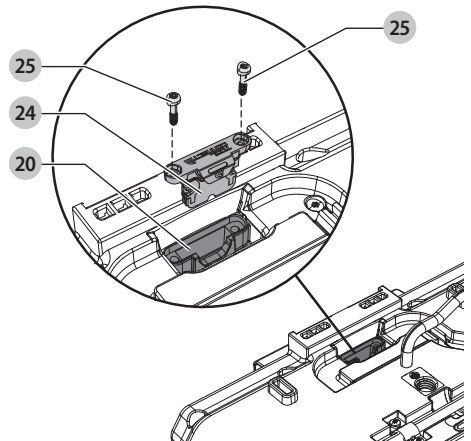


Fig. I



18V ADJUSTABLE WORK LIGHT AND STORAGE

DWST08061

Congratulations!

You have chosen a IRWINDeWALT tool. Years of experience, thorough product development and innovation make IRWINDeWALT one of the most reliable partners for professional power tool users.

Technical Data

		DWST08061
Type		1
Battery type		Li-Ion
Voltage	V _{DC}	18
Lumens		
Articulating head LED	lm	Low - 500 Mid - 1000 High - 2000
Weight (without battery packs)	kg	4.83
Recommended operating temperatures		
Minimum		4 °C (39.2 °F)
Maximum		40 °C (104 °F)



WARNING: To reduce the risk of injury, read the instruction manual.

Definitions: Safety Guidelines

The definitions below describe the level of severity for each signal word. Please read the manual and pay attention to these symbols.



DANGER: Indicates an imminently hazardous situation which, if not avoided, **will** result in **death or serious injury**.



WARNING: Indicates a potentially hazardous situation which, if not avoided, **could** result in **death or serious injury**.



CAUTION: Indicates a potentially hazardous situation which, if not avoided, **may** result in **minor or moderate injury**.

NOTICE: Indicates a practice **not related to personal injury** which, if not avoided, **may** result in **property damage**.



DENOTES RISK OF ELECTRIC SHOCK.



DENOTES RISK OF FIRE.

Specific Safety Rules for Lights



WARNING: Do not place the light in a position which may cause anyone to intentionally or unintentionally stare into the light. Serious eye injury could result.



WARNING: Fire hazard. Do not operate light or charger near flammable liquids or in gaseous or explosive atmospheres. Internal sparks may ignite fumes causing personal injury.

Additional Safety Rules for Work Lights



WARNING: To reduce the risk of fire, do not place anything next to or on top of the lens during or after operation of the light.



CAUTION: Do not put any magnets near the ON/OFF switch. The light could be turned on by a strong magnet near the work light's switch.

- **Risk of electric shock. Do not expose to rain.** Store indoors.
- **Do not submerge work light in any liquid.**
- **This appliance is not intended for use by persons (including children) with reduced physical, sensory or mental capabilities, or lack of experience and knowledge, unless they have been given supervision or instruction concerning use of the appliance by a person responsible for their safety.**
- **Before using work light, read all instructions and cautionary markings on work light, charger and battery.**
- **Store the work light indoors when not in use.** Keep out of reach of children.
- **Place the work light away from any heat source.**
- **Do not disassemble work light.** Take it to an authorized service center when service or repair is required. Incorrect reassembly may result in a risk of electric shock, electrocution or fire.
- **Remove the battery pack from the work light before attempting any cleaning.** This will reduce the risk of electric shock.
- **The temperature of the aluminum case inside the bumper is high.** Take care to avoid coming into contact with the hot surface.

Residual Risks

In spite of the application of the relevant safety regulations and the implementation of safety devices, certain residual risks cannot be avoided. These are:

- Impairment of hearing.
- Risk of personal injury due to flying particles.
- Risk of burns due to accessories becoming hot during operation.
- Risk of personal injury due to prolonged use.

SAVE THESE INSTRUCTIONS

Chargers

DeWALT chargers require no adjustment and are designed to be as easy as possible to operate.

Electrical Safety

The electric motor has been designed for one voltage only. Always check that the battery pack voltage corresponds to the voltage on the rating plate. Also make sure that the voltage of your charger corresponds to that of your mains.

Batteries				Chargers/Charge Times (Minutes)***									
Cat #	V _{DC}	Ah	Weight (kg)	DCB104	DCB107	DCB112/ DCB1102	DCB113	DCB115/ DCB1104	DCB116	DCB117	DCB118	DCB132	DCB119
DCB546	18/54	6.0/2.0	1.08	60	270	170	140	90	80	40	60	90	X
DCB547/G	18/54	9.0/3.0	1.46	75*	420	270	220	135*	110*	60	75*	135*	X
DCB548	18/54	12.0/4.0	1.46	120	540	350	300	180	150	80	120	180	X
DCB181	18	1.5	0.35	22	70	45	35	22	22	22	22	22	45
DCB182	18	4.0	0.61	60/40**	185	120	100	60	60/45**	60/40**	60/40**	60	120
DCB183/B/G	18	2.0	0.40	30	90	60	50	30	30	30	30	30	60
DCB184/B/G	18	5.0	0.62	75/50**	240	150	120	75	75/60**	75/50**	75/50**	75	150
DCB185	18	1.3	0.35	22	60	40	30	22	22	22	22	22	40
DCB187	18	3.0	0.54	45	140	90	70	45	45	45	45	45	90
DCB189	18	4.0	0.54	60	185	120	100	60	60	60	60	60	120
DCBP034/G	18	1.7	0.32	27	82	50	40	27	27	27	27	27	50
DCBP518/G	18	5.0	0.75	50	240	150	120	75	60	50	50	75	150

*Date code 201811475B or later

**Date code 201536 or later

***Battery charge times matrix provided for guidance only; charge times will vary depending on temperature and condition of batteries.



Your DEWALT charger is double insulated in accordance with EN60335; therefore, no earth wire is required.

If the supply cord is damaged, it must be replaced only by DEWALT or an authorised service organisation.

Mains Plug Replacement (U.K. & Ireland Only)

If a new mains plug needs to be fitted:

- Safely dispose of the old plug.
- Connect the brown lead to the live terminal in the plug.
- Connect the blue lead to the neutral terminal.



WARNING: No connection is to be made to the earth terminal.

Follow the fitting instructions supplied with good quality plugs. Recommended fuse: 3 A.

Using an Extension Cable

An extension cord should not be used unless absolutely necessary. Use an approved extension cable suitable for the power input of your charger (refer to **Technical Data**). The minimum conductor size is 1 mm²; the maximum length is 30 m. When using a cable reel, always unwind the cable completely.

Important Safety Instructions for All Battery Chargers

SAVE THESE INSTRUCTIONS: This manual contains important safety and operating instructions for compatible battery chargers (refer to **Technical Data**). Before using charger, read all instructions and cautionary markings on charger, battery pack, and product using battery pack.



WARNING: Shock hazard. Do not allow any liquid to get inside charger. Electric shock may result.



WARNING: We recommend the use of a residual current device with a residual current rating of 30 mA or less.



CAUTION: Burn hazard. To reduce the risk of injury, charge only DEWALT rechargeable batteries. Other types of batteries may burst, causing personal injury and damage.



CAUTION: Children should be supervised to ensure that they do not play with the appliance.

NOTICE: Under certain conditions, with the charger plugged into the power supply, the exposed charging contacts inside the charger can be shorted by foreign material. Foreign materials of a conductive nature such as, but not limited to, steel wool, aluminum foil or any buildup of metallic particles should be kept away from charger cavities. Always unplug the charger from the power supply when there is no battery pack in the cavity. Unplug charger before attempting to clean.

- **DO NOT attempt to charge the battery pack with any chargers other than the ones in this manual.** The charger and battery pack are specifically designed to work together.
- **These chargers are not intended for any uses other than charging DEWALT rechargeable batteries.** Any other uses may result in risk of fire, electric shock or electrocution.
- **Do not expose charger to rain or snow.**
- **Pull by plug rather than cord when disconnecting charger.** This will reduce risk of damage to electric plug and cord.
- **Make sure that cord is located so that it will not be stepped on, tripped over, or otherwise subjected to damage or stress.**
- **Do not use an extension cord unless it is absolutely necessary.** Use of improper extension cord could result in risk of fire, electric shock, or electrocution.
- **Do not place any object on top of charger or place the charger on a soft surface that might block the ventilation slots and result in excessive internal heat.** Place the charger in a position away from any heat source. The

charger is ventilated through slots in the top and the bottom of the housing.

- **Do not operate charger with damaged cord or plug—** have them replaced immediately.
- **Do not operate charger if it has received a sharp blow, been dropped, or otherwise damaged in any way.** Take it to an authorised service centre.
- **Do not disassemble charger; take it to an authorised service centre when service or repair is required.** Incorrect reassembly may result in a risk of electric shock, electrocution or fire.
- *In case of damaged power supply cord, the supply cord must be replaced immediately by the manufacturer, its service agent or similar qualified person to prevent any hazard.*
- **Disconnect the charger from the outlet before attempting any cleaning. This will reduce the risk of electric shock.** Removing the battery pack will not reduce this risk.
- **NEVER attempt to connect two chargers together.**
- **The charger is designed to operate on standard 230V household electrical power. Do not attempt to use it on any other voltage.** This does not apply to the vehicular charger.







Charging a Battery (Fig. B)

1. Plug the charger into an appropriate outlet before inserting battery pack.
2. Insert the battery pack **15** into the charger, making sure the battery pack is fully seated in the charger. The red (charging) light will blink repeatedly, indicating that the charging process has started.
3. The completion of charge will be indicated by the red light remaining ON continuously. The battery pack is fully charged and may be used at this time or left in the charger. To remove the battery pack from the charger, push the battery release button **16** on the battery pack.

NOTE: To ensure maximum performance and life of lithium-ion battery packs, charge the battery pack fully before first use.

Charger Operation

Refer to the indicators below for the charge status of the battery pack.

Charge Indicators		
	Charging	
	Fully Charged	
	Hot/Cold Pack Delay*	

*The red light will continue to blink, but a yellow indicator light will be illuminated during this operation. Once the battery pack has reached an appropriate temperature, the yellow light will turn off and the charger will resume the charging procedure.

The compatible charger(s) will not charge a faulty battery pack. The charger will indicate faulty battery by refusing to light.

NOTE: This could also mean a problem with a charger.

If the charger indicates a problem, take the charger and battery pack to be tested at an authorised service centre.

Hot/Cold Pack Delay

When the charger detects a battery pack that is too hot or too cold, it automatically starts a Hot/Cold Pack Delay, suspending charging until the battery pack has reached an appropriate temperature. The charger then automatically switches to the pack charging mode. This feature ensures maximum battery pack life.

A cold battery pack will charge at a slower rate than a warm battery pack. The battery pack will charge at that slower rate throughout the entire charging cycle and will not return to maximum charge rate even if the battery pack warms.

The DCB118 charger is equipped with an internal fan designed to cool the battery pack. The fan will turn on automatically when the battery pack needs to be cooled. Never operate the charger if the fan does not operate properly or if ventilation slots are blocked. Do not permit foreign objects to enter the interior of the charger.

Electronic Protection System

XR Li-Ion tools are designed with an Electronic Protection System that will protect the battery pack against overloading, overheating or deep discharge.

The tool will automatically turn off if the Electronic Protection System engages. If this occurs, place the lithium-ion battery pack in the charger until it is fully charged.

Wall Mounting

These chargers are designed to be wall mountable or to sit upright on a table or work surface. If wall mounting, locate the charger within reach of an electrical outlet, and away from a corner or other obstructions which may impede air flow. Use the back of the charger as a template for the location of the mounting screws on the wall. Mount the charger securely using drywall screws (purchased separately) at least 25.4 mm long with a screw head diameter of 7–9 mm, screwed into wood to an optimal depth leaving approximately 5.5 mm of the screw exposed. Align the slots on the back of the charger with the exposed screws and fully engage them in the slots.

Charger Cleaning Instructions



WARNING: Shock hazard. Disconnect the charger from the AC outlet before cleaning. Dirt and grease may be removed from the exterior of the charger using a cloth or soft non-metallic brush. Do not use water or any cleaning solutions. Never let any liquid get inside the tool; never immerse any part of the tool into a liquid.

Battery Packs

Important Safety Instructions for All Battery Packs

When ordering replacement battery packs, be sure to include catalogue number and voltage.

The battery pack is not fully charged out of the carton. Before using the battery pack and charger, read the safety instructions below. Then follow charging procedures outlined.

READ ALL INSTRUCTIONS

- **Do not charge or use battery in explosive atmospheres, such as in the presence of flammable liquids, gases or dust.** Inserting or removing the battery from the charger may ignite the dust or fumes.

- **Never force battery pack into charger. Do not modify battery pack in any way to fit into a non-compatible charger as battery pack may rupture, causing serious personal injury.**
- Charge the battery packs only in DeWALT chargers.
- **DO NOT splash or immerse in water or other liquids.**
- **Do not store or use the tool and battery pack in locations where the temperature may fall below 4 °C (39.2 °F) (such as outside sheds or metal buildings in winter), or reach or exceed 40 °C (104 °F) (such as outside sheds or metal buildings in summer).**
- **Do not incinerate the battery pack even if it is severely damaged or is completely worn out. The battery pack can explode in a fire. Toxic fumes and materials are created when lithium-ion battery packs are burned.**
- **If battery contents come into contact with the skin, immediately wash area with mild soap and water. If battery liquid gets into the eye, rinse water over the open eye for 15 minutes or until irritation ceases. If medical attention is needed, the battery electrolyte is composed of a mixture of liquid organic carbonates and lithium salts.**
- **Contents of opened battery cells may cause respiratory irritation. Provide fresh air. If symptoms persist, seek medical attention.**



WARNING: Burn hazard. Battery liquid may be flammable if exposed to spark or flame.



WARNING: Never attempt to open the battery pack for any reason. If battery pack case is cracked or damaged, do not insert into charger. Do not crush, drop or damage battery pack. Do not use a battery pack or charger that has received a sharp blow, been dropped, run over or damaged in any way (i.e., pierced with a nail, hit with a hammer, stepped on). Electric shock or electrocution may result. Damaged battery packs should be returned to service centre for recycling.



WARNING: Fire hazard. Do not store or carry the battery pack so that metal objects can contact exposed battery terminals. For example, do not place the battery pack in aprons, pockets, tool boxes, product kit boxes, drawers, etc., with loose nails, screws, keys, etc.



CAUTION: When not in use, place tool on its side on a stable surface where it will not cause a tripping or falling hazard. Some tools with large battery packs will stand upright on the battery pack but may be easily knocked over.

Transportation



WARNING: Fire hazard. Transporting batteries can possibly cause fire if the battery terminals inadvertently come into contact with conductive materials. When transporting batteries, make sure that the battery terminals are protected and well-insulated from materials that could contact them and cause a short circuit. **NOTE:** Lithium-ion batteries should not be put in checked baggage.

DeWALT batteries comply with all applicable shipping regulations as prescribed by industry and legal standards, which include UN Recommendations on the Transport of Dangerous Goods; International Air Transport Association (IATA) Dangerous Goods Regulations; International Maritime Dangerous Goods (IMDG) Regulations; and the European Agreement Concerning The International Carriage of Dangerous Goods by Road (ADR). Lithium-ion cells and batteries have been tested to section 38.3 of the UN Recommendations on the Transport of Dangerous Goods Manual of Tests and Criteria.

In most instances, shipping a DeWALT battery pack will be excepted from being classified as a fully regulated Class 9 Hazardous Material. In general, only shipments containing a lithium-ion battery with an energy rating greater than 100 Watt Hours (Wh) will require being shipped as fully regulated Class 9. All lithium-ion batteries have the Wh rating marked on the pack. Furthermore, due to regulation complexities, DeWALT does not recommend air shipping lithium-ion battery packs alone regardless of Wh rating. Shipments of tools with batteries (combo kits) can be air shipped as excepted if the Wh rating of the battery pack is no greater than 100 Wh.

Regardless of whether a shipment is considered excepted or fully regulated, it is the shipper's responsibility to consult the latest regulations for packaging, labeling/marketing and documentation requirements.

The information provided in this section of the manual is provided in good faith and believed to be accurate at the time the document was created. However, no warranty, expressed or implied, is given. It is the buyer's responsibility to ensure that its activities comply with the applicable regulations.

Storage Recommendations

1. The best storage place is one that is cool and dry away from direct sunlight and excessive heat or cold. For optimum battery performance and life, store battery packs at room temperature when not in use.
2. For long storage, it is recommended to store a fully charged battery pack in a cool, dry place out of the charger for optimal results.

NOTE: Battery packs should not be stored completely depleted of charge. The battery pack will need to be recharged before use.

Labels on Charger and Battery Pack

In addition to the pictographs used in this manual, the labels on the charger and the battery pack may show the following pictographs:



Read instruction manual before use.



Refer to **Technical Data** for charging time.



Do not probe with conductive objects.



Do not charge damaged battery packs.



Do not expose to water.



Have defective cords replaced immediately.



Charge only between 4 °C and 40 °C.



Only for indoor use.



Discard the battery pack with due care for the environment.



Charge battery packs only with designated DEWALT chargers. Charging battery packs other than the designated DEWALT batteries with a DEWALT charger may make them burst or lead to other dangerous situations.



Do not incinerate the battery pack.

Battery Type

The following tools operate on an 18-volt battery pack: DWST08061.

These battery packs may be used: DCB181, DCB182, DCB183, DCB183B, DCB183G, DCB184, DCB184B, DCB184G, DCB185, DCB187, DCB189, DCBP034, DCBP034G, DCBP518, DCBP518G, DCB546, DCB547, DCB547G, DCB548, DCB549. Refer to **Technical Data** for more information.

Package Contents

The package contains:

- 1 LED adjustable work light
- 1 Toughsystem 2.0 half size open tote
- 1 Instruction manual

NOTE: Battery packs, are not included with N models. Battery packs are not included with NT models. B models include Bluetooth® battery packs.

NOTE: The Bluetooth® word mark and logos are registered trademarks owned by the Bluetooth®, SIG, Inc. and any use of such marks by DEWALT is under license. Other trademarks and trade names are those of their respective owners.

- Check for damage to the tool, parts or accessories which may have occurred during transport.
- Take the time to thoroughly read and understand this manual prior to operation.

Markings on Tool

The following pictograms are shown on the tool:



Read instruction manual before use.



Only for indoor use.

Date Code Position (Fig. A)

The production date code **26** consists of a 4-digit year followed by a 2-digit week and is extended by a 2-digit factory code.

Description (Fig. A)



WARNING: Never modify the power tool or any part of it. Damage or personal injury could result.

- 1 Light box
- 2 Right LED On/Off button
- 3 Right articulating head LED
- 4 Left LED On/Off button
- 5 Left articulating head LED
- 6 Brightness indicator LEDs
- 7 State of charge indicator LEDs
- 8 Battery port
- 9 Top handle
- 10 Hanging hook
- 11 Hanging hook clasp
- 12 Stacking latch
- 13 Carry handle
- 14 Storage compartment
- 15 Battery
- 16 Battery release button
- 17 Side tool mounting
- 18 1/4" threaded mount
- 19 5/8" threaded mount
- 20 Tool Connect™ mount

Intended Use

The DWST08061 has been designed for professional lighting applications.

DO NOT use under wet conditions or in the presence of flammable liquids or gases.

DO NOT let children come into contact with the tool.

Supervision is required when inexperienced operators use this tool.

- **Young children and the infirm.** This appliance is not intended for use by young children or infirm persons without supervision.
- This product is not intended for use by persons (including children) suffering from diminished physical, sensory or mental abilities; lack of experience, knowledge or skills unless they are supervised by a person responsible for their safety. Children should never be left alone with this product.

OPERATION

Instructions for Use



WARNING: Always observe the safety instructions and applicable regulations.



WARNING: To reduce the risk of serious personal injury, turn tool off and disconnect battery pack before making any adjustments or removing/installing attachments or accessories. An accidental start-up can cause injury.

Positioning the Articulating Head LEDs (Fig. A, C)



WARNING: Do not to attempt to operate the articulating head LEDs in the closed position, or with the lens facing the light box, as the surface the light may get hot.

The articulating head LED **3**, **5** pivots up and down 0°–160° and swivels from 0°–270°.

NOTE: The light box is equipped with magnetic sensors. If the articulating head LED **3**, **5** is stored with the lens facing the light box, the articulating head LED **3**, **5** will not turn on and will turn off automatically.

1. To move the left articulating head LED **5** or right articulating head LED **3** first pull it upwards and away from the light box **1**.
2. To adjust the light beam, swivel the left articulating head LED **5** or right articulating head LED **3** by twisting it into the desired position.
3. When not in use fold the left articulating head LED **5** or right articulating head LED **3** with the lens side facing into the stored position, secured in the light box **1**.

On/Off Switch (Fig. A, D)



WARNING: The lens gets very hot during use. To reduce the risk of burns, do not touch hot lens.



WARNING: Keep objects at least 20" (51 cm) away from the lenses when they are in use to prevent the objects from overheating.



WARNING: To reduce the risk of fire, keep away from combustible materials while in operation.



CAUTION: Do not stare into box light lens. Serious eye injury could result.

NOTE: For best results, make sure your battery pack is fully charged.

1. To turn on the right articulating head LED **3**, press the right LED On/Off button **2**.
2. To turn on the left articulating head LED **5**, press the left LED On/Off button **4**.
3. Each articulating head LED **3**, **5** has three brightness levels, up to 2000 lumens. Continue to press the On/Off buttons to change the brightness level.
4. Continue cycling the On/Off buttons until the lights turn off.

NOTE: The light box is equipped with magnetic sensors. If the articulating head LED **3**, **5** is stored with the lens facing the

light box, the articulating head LED **3**, **5** will not turn on and will turn off automatically.

Low Battery Indicator

As the battery nears a fully discharged state, the light will blink twice. The light will continue to blink twice every 45 seconds until the battery is fully discharged at which time the light will turn off. Indication time will vary based on battery pack capacity.



CAUTION: Stop work and replace the battery when this occurs.

Thermal Protection Mode

In cases of overheating, the articulating head LEDs **3**, **5** lumen output automatically switches to the next lower brightness setting. If the temperature continues to increase, the light box will power off until a normal operating temperature is reached.

Top Handle (Fig. A)

This light box **1** has a built in top handle **9** that allows you to carry the light box **1** when not attached to the storage compartment **14**.

Carry Handle (Fig. E)

This DWST08061 has a built in carry handle **13** that allows you to carry the DWST08061 when attached to a ToughSystem® storage box.

Storage Compartment (Fig. F)



WARNING: Avoid overfilling the storage compartment.



WARNING: Do not forcefully attach the light box onto the storage compartment. If the light box will not fully close or the latches will not lock easily, ensure the storage compartment is not overfilled. Remove a few items and try attaching the light box again. If needed you can stack the storage compartment on top of the light box.



WARNING: When stacking an additional ToughSystem 2.0 unit on top of the light box, the battery must be removed first, unless it is smaller than 6Ah.




WARNING: Ensure the light panels are facing down before stacking another ToughSystem 2.0 unit on top of the light box to prevent possible activation of the LED lights.


This DWST08061 has a storage compartment **14** to carry your extra batteries, cords or tools.


The light box and the storage compartment are ToughSystem 2.0 compatible and can be stacked together or individually with all ToughSystem 2.0 products.


1. To access the storage compartment **14** first unlock the light box **1** from the storage compartment **14** by pressing the stacking latch **12** and then lift the light box **1** off the storage compartment **14**.
2. To install the light box **1** onto the storage compartment **14**, pivot the light box slot **22** into the storage compartment slot **23**. Press the light box **1** down and inward until an audible click is heard. Ensure the light box **1** is securely held in place.


Suspending the Light Box (Fig A, G)

 **CAUTION:** When the light box hangs by the hang hook, do not shake the light box or the object from which it hangs. Do not hang the light box from any electrical wires or anything that is not secure. Personal injury or property damage may occur.

 **CAUTION:** Only use the hang hook for hanging the light box as shown in Fig. A, G. The hang hook is not intended to support additional weight. Do not attach or hang anything additional to the light box or risk of breakage may occur.

 **CAUTION:** Do not use the hang hook to reach with or to support your weight in any situation.

 **CAUTION:** Do not stand underneath the light box when it is mounted overhead. Serious personal injury or damage to the light box may result if the light box falls.


 **CAUTION:** Do not mount the light box to the ceiling.

Hang Hook

The hang hook **10** may be used to suspend the light box **1** from 2x4 lumber or pipes up to 2-1/2" (64 mm) diameter.

1. The hang hook **10** folds out from under light box **1**. Be sure to fully extend the hang hook **10** before using.
2. To store the hang hook **10** fold it into the hang hook recess and ensure the hang hook **10** clips into the hang hook clasp **11**.

Mounting the Light Box Using the Threaded Accessory Mounts (Fig. A, H)

 **WARNING:** Since accessories, other than those offered by DEWALT, have not been tested with this product, use of such accessories with this tool could be hazardous. To reduce the risk of injury, only DEWALT recommended accessories should be used with this product.

If you need any assistance in locating any accessory, please contact your nearest DEWALT service center or go to www.DEWALT.com.


The DWST08061 is equipped with 1/4 x 20 **18** and 5/8 x 11 **19** female threaded mount. This threaded mount is to accommodate current or future DEWALT accessories.

1. Place the mounting screw of the accessory into the appropriate threaded mount and secure the accessory to the light.

NOTE: Follow the directions included with the accessory.


2. Ensure the light is securely attached.

MAINTENANCE

 **WARNING:** To reduce the risk of serious personal injury, turn unit off and remove the battery pack before making any adjustments or removing/installing attachments or accessories. An accidental start-up can cause injury.

Your DEWALT product has been designed to operate over a long period of time with a minimum of maintenance.

Continuous satisfactory operation depends upon proper care and regular cleaning.

 **WARNING:** The light source contained in this luminaire shall only be replaced by the manufacturer or a DEWALT service centre or a similar qualified person.


Storage and Transportation

- Always store with battery removed!
- Avoid using the DWST08061 outdoors or transporting in an open vehicle.
- Do not use in rain. Do not expose to rain.
- Store indoors..
- Store the DWST08061 in a place that is as cool and dry as possible.
- Store the DWST08061 in a place where it cannot be accessed by children or unauthorized persons.
- Check the DWST08061 for damage before use after long periods of storage.


Lubrication

Your power tool requires no additional lubrication.

Cleaning

 **WARNING:** Never use solvents or other harsh chemicals for cleaning the non-metallic parts of the tool. These chemicals may weaken the plastic materials used in these parts. Use a cloth dampened only with water and mild soap. Never let any liquid get inside the tool; never immerse any part of the tool into a liquid.


Optional Accessories

 **WARNING:** Since accessories, other than those offered by DEWALT, have not been tested with this product, use of such accessories with this tool could be hazardous. To reduce the risk of injury, only DEWALT-recommended accessories should be used with this product.

Consult your dealer for further information on the appropriate accessories.

Tool Connect™ Chip (Fig. I)

Optional Accessory

 **WARNING:** To reduce the risk of serious personal injury, turn unit off and disconnect it from power source and remove the battery pack before making any adjustments or removing/installing attachments or accessories. An accidental start-up can cause injury.

Your tool is Tool Connect™ Chip ready and has a location for installation of a Tool Connect™ Chip.

Tool Connect™ chip **24** communicates with an optional application for your smart device (such as a smart phone or tablet) that connects the device to utilize the mobile application for inventory management functions.

Refer to **Tool Connect™ Chip Instruction Sheet** for more information.

Installing the Tool Connect™ Chip

1. Insert the Tool Connect™ Chip **24** into the empty pocket **20**.
2. Ensure that the Tool Connect™ Chip is flush with the housing. Secure it with the retaining screws **25** and tighten the screws.
3. Refer to **Tool Connect™ Chip Instruction Sheet** for further instructions.

Protecting the Environment



Separate collection. Products and batteries marked with this symbol must not be disposed of with normal household waste.

■ Products and batteries contain materials that can be recovered or recycled, reducing the demand for raw materials. Please recycle electrical products and batteries according to local provisions. Further information is available at www.2helpU.com.

Rechargeable Battery Pack

This long-life battery pack must be recharged when it fails to produce sufficient power on jobs that were easily done before. At the end of its technical life, discard it with due care for our environment:

- Run the battery pack down completely, then remove it from the tool.
- Li-Ion cells are recyclable. Take them to your dealer or a local recycling station. The collected battery packs will be recycled or disposed of properly.

18V РЕГУЛИРУЕМЫЙ ФОНАРЬ И ЯЩИК ДЛЯ ХРАНЕНИЯ DWST08061

Поздравляем!

Вы приобрели инструмент DeWALT. Многолетний опыт, тщательная разработка изделий и инновации делают компанию DeWALT одним из самых надёжных партнеров для пользователей профессионального электроинструмента.

Технические характеристики

		DWST08061
Тип		1
Тип аккумуляторной батареи		Литий-ионная
Напряжение	$V_{\text{факт. тока}}$	18
Люмен		
Поворотная светодиодная головка	лм	Низк. — 500 Средн. — 1000 Выс. — 2000
Вес (без аккумуляторной батареи)	кг	4,83
Рекомендованная рабочая температура		
Минимальная		4 °C (39,2 °F)
Максимальная		40 °C (104 °F)



ВНИМАНИЕ: Во избежание риска получения травм ознакомьтесь с инструкцией.

Обозначения: правила техники безопасности

Ниже описывается уровень опасности, обозначаемый каждым из предупреждений. Прочитайте руководство и обратите внимание на данные символы.



ОПАСНО: Обозначает опасную ситуацию, которая неизбежно приведет к серьезной травме или смертельному исходу, в случае несоблюдения соответствующих мер безопасности.



ВНИМАНИЕ: Указывает на потенциально опасную ситуацию, которая, в случае несоблюдения соответствующих мер безопасности, может привести к серьезной травме или смертельному исходу.



ПРЕДУПРЕЖДЕНИЕ: Указывает на потенциально опасную ситуацию, которая, в случае несоблюдения соответствующих мер безопасности может стать причиной травм **средней или легкой степени тяжести**.

ПОЯСНЕНИЕ: Указывает на практики, использование которых не связано с получением травмы, но если ими пренебречь, могут привести к порче имущества.



УКАЗЫВАЕТ НА РИСК ПОРАЖЕНИЯ ЭЛЕКТРИЧЕСКИМ ТОКОМ.



УКАЗЫВАЕТ НА РИСК ВОЗГОРАНИЯ.

Отдельные правила техники безопасности для фонарей



ОСТОРОЖНО! Не устанавливайте фонарь в такое положение, при котором кто-либо может намеренно или случайно смотреть прямо на свет. Это может привести к серьезным травмам глаз.



ОСТОРОЖНО! Огнеопасно. Не используйте фонарь или зарядное устройство возле горючих жидкостей или в загазованной или взрывоопасной среде. Внутренние искры могут привести к воспламенению паров и травмам.

Дополнительные правила техники безопасности для фонарей



ОСТОРОЖНО! Чтобы снизить риск воспламенения, не кладите что-либо на линзу или рядом с ней во время или после работы с фонарем.



ВНИМАНИЕ! Не кладите рядом с выключателем какие-либо магниты. Сильный магнит рядом с выключателем может случайно включить фонарь.

- **Риск поражения электрическим током. Не оставляйте инструмент под дождем.** Хранить в помещении.
- **Не погружайте фонарь в воду и другие жидкости.**
- **Данное устройство не предназначено для использования лицами (включая детей) с ограниченными физическими, сенсорными или ментальными возможностями, а также лицами без достаточного опыта и знаний, если только они не делают этого под руководством лица имеющего соответствующий опыт и отвечающего за их безопасность.**
- **Перед тем, как использовать фонарь, внимательно изучите все инструкции и предупредительные этикетки на фонаре, зарядном устройстве и аккумуляторной батарее.**
- **Храните фонарь в помещении, если он не используется.** Храните в недоступном для детей месте.
- **Располагайте фонарь вдали от источников тепла.**
- **Не разбирайте фонарь.** Обращайтесь в авторизованный сервисный центр для проведения технического обслуживания или ремонта. Неправильная сборка может стать причиной пожара или поражения электрическим током.
- **Перед очисткой фонаря извлекайте аккумуляторную батарею.** Это снижает риск поражения электрическим током.

Батареи				Зарядные устройства/время зарядки (мин)***									
Кат. №	V _{пост. тока}	Ah	Вес (kg)	DCB104	DCB107	DCB112/ DCB1102	DCB113	DCB115/ DCB1104	DCB116	DCB117	DCB118	DCB132	DCB119
DCB546	18/54	6,0/2,0	1,08	60	270	170	140	90	80	40	60	90	X
DCB547/G	18/54	9,0/3,0	1,46	75*	420	270	220	135*	110*	60	75*	135*	X
DCB548	18/54	12,0/4,0	1,46	120	540	350	300	180	150	80	120	180	X
DCB181	18	1,5	0,35	22	70	45	35	22	22	22	22	22	45
DCB182	18	4,0	0,61	60/40**	185	120	100	60	60/45**	60/40**	60/40**	60	120
DCB183/B/G	18	2,0	0,40	30	90	60	50	30	30	30	30	30	60
DCB184/B/G	18	5,0	0,62	75/50**	240	150	120	75	75/60**	75/50**	75/50**	75	150
DCB185	18	1,3	0,35	22	60	40	30	22	22	22	22	22	40
DCB187	18	3,0	0,54	45	140	90	70	45	45	45	45	45	90
DCB189	18	4,0	0,54	60	185	120	100	60	60	60	60	60	120
DCBP034/G	18	1,7	0,32	27	82	50	40	27	27	27	27	27	50
DCBP518/G	18	5,0	0,75	75	240	150	120	75	60	50	50	75	150

*Код даты 201811475В или новее

**Код даты 201536 или новее

***Таблица представлена только для справки; время зарядки может варьироваться.

- **Алюминиевый футляр в бампере сильно нагревается.** Избегайте контакта с горячей поверхностью.

Остаточные риски

Несмотря на соблюдение соответствующих инструкций по технике безопасности и использование предохранительных устройств, некоторые остаточные риски невозможно полностью исключить. А именно:

- ухудшение слуха;
- риск травм от разлетающихся частиц;
- риск получения ожогов в результате нагревания инструмента в процессе работы;
- риск получения травмы в результате продолжительной работы.


СОХРАНИТЕ НАСТОЯЩЕ РУКОВОДСТВО

Зарядные устройства

Зарядные устройства DEWALT не требуют регулировки и максимально просты в использовании.

Электробезопасность

Фонарь DWST08061 рассчитан на работу только при одном напряжении сети. Необходимо обязательно убедиться в том, что напряжение источника питания соответствует указанному на шильдике устройства. Необходимо также убедиться в том, что напряжение работы зарядного устройства соответствует напряжению в сети.

 Зарядное устройство DEWALT оснащено двойной изоляцией в соответствии с требованиями EN60335; поэтому провод заземления не требуется.

В случае повреждения кабеля питания его необходимо заменить специально подготовленным кабелем, который можно приобрести в сервисных центрах DEWALT.

Использование удлинительного кабеля

Используйте удлинитель только в случаях крайней необходимости. Используйте только утвержденные удлинители промышленного изготовления, рассчитанные на мощность не меньшую, чем потребляемая мощность зарядного устройства (см. **Технические характеристики**). Минимальное поперечное сечение провода электрического кабеля должно составлять 1 мм²; максимальная длина 30 м. При использовании кабельного барабана всегда полностью разматывайте кабель.

Важные инструкции по технике безопасности для всех зарядных устройств

СОХРАНИТЕ НАСТОЯЩЕ РУКОВОДСТВО. В данном руководстве содержатся важные инструкции по технике безопасности для совместимых зарядных устройств (см. **Технические характеристики**).

- *Перед тем как использовать зарядное устройство, внимательно изучите все инструкции и предупреждающие этикетки на зарядном устройстве, батарее и инструменте, для которого используется батарея.*



ВНИМАНИЕ: Опасность поражения электрическим током. Не допускайте попадания жидкости в зарядное устройство. Это может привести к поражению электрическим током.



ВНИМАНИЕ: Рекомендуется использовать устройство защитного отключения (УЗО) с током утечки до 30 мА.



ВНИМАНИЕ: Опасность ожога. Во избежание травм, следует использовать только аккумуляторные батареи производства DEWALT. Использование батарей другого типа может привести к взрыву, травмам и повреждениям.



ПРЕДУПРЕЖДЕНИЕ: Не позволяйте детям играть с данным устройством.

ПОЯСНЕНИЕ: В определенных условиях, при подключении зарядного устройства к источнику питания, может произойти короткое замыкание контактов внутри зарядного устройства посторонними материалами. Не допускайте попадания в полость зарядного устройства таких токопроводящих материалов, как стальная стружка, алюминиевая фольга или другие металлические частицы и т. п. Всегда отключайте зарядное устройство от источника питания, если в нем нет аккумуляторной батареи. Всегда отключайте зарядное устройство от сети перед тем, как приступить к очистке инструмента

- **НЕ ПЫТАЙТЕСЬ** заряжать батареи с помощью каких-либо других зарядных устройств, кроме тех, которые указаны в данном руководстве. Зарядное устройство и батарея предназначены для совместного использования.
- Эти зарядные устройства не предназначены ни для какого другого использования, помимо зарядки аккумуляторных батарей DEWALT. Использование любых других батарей может привести к возгоранию, поражению электротоком или гибели от электрического шока.
- Не подвергайте зарядное устройство воздействию снега или дождя.
- При отключении зарядного устройства от сети всегда тяните за штепсельную вилку, а не за кабель. Это поможет избежать повреждения штепсельной вилки и розетки.
- Убедитесь в том, что кабель расположен таким образом, чтобы на него не наступили, не споткнулись об него, а также в том, что он не натянут и не может быть поврежден.
- Не используйте удлинительный кабель без крайней необходимости. Использование удлинительного кабеля неподходящего типа может привести к пожару или поражению электрическим током.
- Не ставьте на зарядное устройство никакие предметы и не устанавливайте зарядное устройство на мягкую поверхность, которая может закрыть вентиляционные отверстия и привести к перегреву. Не размещайте зарядное устройство поблизости от источников тепла. Вентиляция зарядного устройства происходит с помощью отверстий в верхней и нижней части корпуса.
- Не используйте зарядное устройство при наличии повреждений кабеля или штепсельной вилки – в этом случае необходимо немедленно их заменить.
- Не используйте зарядное устройство, если его роняли, либо если оно подвергалось сильным ударам или было повреждено каким-либо

иным образом. Обратитесь в авторизованный сервисный центр.

- **Не разбирайте зарядное устройство. При необходимости обратитесь в специализированный сервисный центр, если нужно провести обслуживание или ремонт инструмента.** Неправильная сборка может стать причиной пожара или поражения электрическим током.
- В случае повреждения кабеля питания его необходимо немедленно заменить у производителя, в его сервисном центре или с привлечением другого специалиста аналогичной квалификации для предотвращения несчастного случая.
- **Перед очисткой отключите зарядное устройство от сети. В противном случае, это может привести к поражению электрическим током.** Извлечение аккумуляторной батареи не приведет к снижению степени этого риска.
- **НИКОГДА** не пытайтесь соединить два зарядных устройства вместе.
- **Зарядное устройство предназначено для работы при стандартном напряжении сети в 230 В. Не пытайтесь использовать его при каком-либо ином напряжении.** Это не относится к автомобильному зарядному устройству.







Зарядка батареи (Рис. [Fig.] B)

1. Перед установкой батареи подключите зарядное устройство к соответствующей сетевой розетке.
2. Вставьте аккумуляторную батарею **15** в зарядное устройство, убедившись в том, что она хорошо установлена. Красный индикатор зарядки начнет мигать. Это означает, что процесс зарядки начался.
3. По окончании зарядки красный индикатор будет гореть непрерывно, не мигая. Теперь батарея полностью заряжена, и ее можно использовать или оставить в зарядном устройстве. Чтобы извлечь аккумуляторную батарею из зарядного устройства, нажмите кнопку фиксатора батареи **16** и извлеките батарею.

ПРИМЕЧАНИЕ: Чтобы обеспечить максимальную производительность и срок службы литий-ионных батарей, перед первым использованием полностью зарядите аккумуляторную батарею.

Работа с зарядным устройством

См. состояние зарядки аккумуляторной батареи на приведенных ниже индикаторах.

Индикаторы зарядки	
 Зарядка	
 Полностью заряжен	
 Температурная задержка*	

*Красный индикатор продолжит мигать, но загорится желтый индикатор. После того, как батарея достигнет

рабочей температуры, желтый индикатор погаснет, и зарядка продолжится.

Зарядное(-ые) устройство(-а) не может(-гут) полностью зарядить неисправную аккумуляторную батарею. При неисправной аккумуляторной батарее, индикатор на зарядном устройстве не загорится.

ПРИМЕЧАНИЕ: Также это может указывать на проблему с зарядным устройством.

Если зарядное устройство указывает на наличие проблемы, проверьте аккумулятор и зарядное устройство в специализированном сервисном центре.

Температурная задержка

Если температура батареи слишком низкая или слишком высокая, зарядное устройство автоматически переходит в режим температурной задержки; при этом зарядка не начинается до тех пор, пока батарея не достигнет нужной температуры. После того, как нужный уровень температуры будет достигнут, устройство перейдет в режим зарядки. Данная функция обеспечивает максимальный срок эксплуатации батареи.

Зарядка холодной батареи занимает больше времени, чем теплой. Аккумуляторная батарея заряжается медленнее во время всего цикла зарядки и максимального заряда не удастся добиться даже после того, как аккумуляторная батарея нагреется.

Зарядное устройство DCB118 оснащено внутренним вентилятором для охлаждения батареи. Вентилятор включится автоматически, если батарея нуждается в охлаждении. Не используйте зарядное устройство, если вентилятор не функционирует или если забиты вентиляционные отверстия. Не позволяйте посторонним предметам попадать внутрь зарядного устройства.

Система электронной защиты

Литий-ионные аккумуляторные батареи XR оснащены системой электронной защиты, которая защищает аккумуляторную батарею от перегрузки, перегрева или глубокой разрядки.

При срабатывании системы электронной защиты инструмент автоматически отключается. В этом случае поставьте литий-ионную батарею на зарядку до тех пор, пока она полностью не зарядится.

Крепление на стену

Данные зарядные устройства могут крепиться на стены или устанавливаться на стол или рабочую поверхность. При креплении на стену расположите зарядное устройство в пределах досягаемости розетки и подальше от углов и других препятствий, которые могут помешать потоку воздуха. Используйте заднюю часть зарядного устройства в качестве образца для положения монтажных болтов на стене. Надежно закрепите зарядное устройство при помощи саморезов (приобретаются отдельно) длиной минимум в 25,4 мм с диаметром шляпки самореза в 7–9 мм, вкрученных в дерево до оптимальной глубины, оставляющей на поверхности примерно 5,5 мм самореза. Совместите отверстия на задней стороне зарядного устройства

с выступающими саморезами и полностью вставьте их в отверстия.

Инструкции по очистке зарядного устройства



ВНИМАНИЕ: Опасность поражения электрическим током. Перед очисткой отключите зарядное устройство от сети питания. Грязь и жир можно удалить с наружной поверхности зарядного устройства с помощью тряпки или мягкой неметаллической щетки. Не используйте воду или чистящие растворы. Не допускайте попадания жидкости внутрь инструмента; никогда не погружайте никакие из деталей инструмента в жидкость.

Аккумуляторные батареи

Важные инструкции по технике безопасности для всех батарей

При заказе запасных батарей не забудьте указать номер по каталогу и напряжение.

При покупке батареи заряжена не полностью. Перед тем, как использовать батарею и зарядное устройство, прочтите следующие инструкции по технике безопасности. Затем выполните необходимые действия для зарядки.

ВНИМАТЕЛЬНО ПРОЧИТАЙТЕ ВСЕ ИНСТРУКЦИИ

- **Не заряжайте и не используйте батарею во взрывоопасной атмосфере, например, при наличии горючих жидкостей, газов или пыли.** Установка или удаление батареи из зарядного устройства может привести к воспламенению пыли или газов.
- **Никогда не прилагайте больших усилий, вставляя батарею в зарядное устройство. Не вносите изменения в конструкцию батарей с целью установить их в зарядное устройство, к которому они не подходят. Это может привести к серьезным травмам.**
- **Заряжайте батарею только с помощью зарядных устройств DEWALT.**
- **НЕ ПРОЛИВАЙТЕ** на них и не погружайте их в воду или другие жидкости.
- **Не храните и не используйте данное устройство и батарею при температуре выше 40 °C (например, на внешних пристройках или на металлических поверхностях зданий в летнее время).**
- **Не сжигайте батарею, даже поврежденные или полностью отработавшие.** При попадании в огонь батареи могут взорваться. При сжигании литий-ионных батарей образуются токсичные вещества и газы.
- **При попадании содержимого батареи на кожу, немедленно промойте это место водой с мылом.** При попадании содержимого батареи в глаза, необходимо промыть открытые глаза проточной водой в течение 15 минут или до тех пор, пока не пройдет раздражение. При необходимости обращения

к врачу, может пригодиться следующая информация: электролит представляет собой смесь жидких органических углекислых и литиевых солей.

При вскрытии батареи, ее содержимое может вызвать раздражение дыхательных путей.

Обеспечьте наличие свежего воздуха. Если симптомы сохраняются, обратитесь к врачу.



ВНИМАНИЕ: Опасность ожога. Содержимое батареи может воспламениться при попадании искр или огня.



ВНИМАНИЕ: Ни в коем случае не разбирайте батарею. При наличии трещин или других повреждений батареи, не устанавливайте ее в зарядное устройство. Не роняйте батарею и не подвергайте ее ударам или другим повреждениям. Не используйте батарею или зарядное устройство после удара, падения или получения каких-либо других повреждений (например, после того, как ее проткнули гвоздем, ударили молотком или наступили на нее). Это может привести к электрическому шоку или смерти. Поврежденные батареи необходимо вернуть в сервисный центр для повторной переработки.



ВНИМАНИЕ: Риск воспламенения. Избегайте замыкания выводов батарей металлическими предметами во время хранения или переноски.

Например, не кладите аккумуляторные батареи в передники, карманы, ящики для инструментов, выдвижные ящики и т. п. с гвоздями, гайками, ключами и т. п.



ПРЕДУПРЕЖДЕНИЕ: Когда устройство не используется, кладите его на бок на устойчивую поверхность в таком месте, где оно не может упасть и об него нельзя споткнуться. Некоторые устройства с батареями большого размера, стоят сверху на батарее, и могут легко упасть.

Транспортировка



ВНИМАНИЕ: Риск воспламенения. При транспортировке аккумуляторных батарей может произойти возгорание, если терминалы аккумуляторных батарей случайно будут замкнуты электропроводящими материалами. При транспортировке аккумуляторных батарей убедитесь в том, что терминалы защищены и хорошо изолированы от материалов, контакт с которыми может привести к короткому замыканию.

ПРИМЕЧАНИЕ: Литий-ионные аккумуляторные батареи запрещается сдавать в багаж.

Батареи DeWALT соответствуют всем применимым правилам транспортировки, как предусмотрено промышленными и юридическими стандартам, включая рекомендации ООН по транспортировке опасных грузов; Ассоциация международных авиаперевозчиков (IATA) правила перевозки опасных грузов, Международные правила перевозки

опасных грузов морским путем (IMDG), и европейское соглашение о международной дорожной перевозке опасных грузов (ADR). Литий-ионные элементы и аккумуляторные батареи были протестированы в соответствии с разделом 38.3 Рекомендаций ООН по транспортировке опасных грузов руководства по тестами и критериям.

В большинстве случаев транспортировка аккумуляторных батарей DeWALT не попадает под классификацию, поскольку они не являются опасными материалами Класса 9. В целом, полностью под правила Класса 9 подпадают только перевозки литий-ионных батарей с энергоемкостью выше 100 Ватт час (Вт ч). Энергоемкость всех литий-ионных аккумуляторных батарей в Ватт-часах указана на упаковке. Кроме того, из-за сложности правил, DeWALT не рекомендует перевозку литий-ионных батарей по воздуху вне зависимости от их энергоемкости. Поставки инструментов с батареями (комбинированные наборы) могут перевозиться по воздуху согласно исключениям, если энергоемкость батареи не превышает 100 Вт ч.

Независимо от того, является ли перевозка исключением или выполняется по правилам, перевозчик должен уточнить последние требования к упаковке, маркировке и оформлению документации.

Информация, изложенная в данном руководстве обоснована и на момент создания данного документа может считаться точной. Но эта гарантия не является ни выраженной, ни подразумеваемой. Покупатель должен обеспечить то, что бы его деятельность соответствовала всем применимым законам.

Рекомендации по хранению

1. Лучшим местом для хранения является прохладное и сухое место, защищенное от прямых солнечных лучей, высокой или низкой температуры. Для оптимальной работы и продолжительного срока службы, храните неиспользуемые аккумуляторные батареи при комнатной температуре.
2. Для достижения максимальных результатов при продолжительном хранении рекомендуется полностью зарядить батарейный комплект и хранить его в прохладном сухом месте вне зарядного устройства.

ПРИМЕЧАНИЕ: Аккумуляторные батареи не должны храниться в полностью разряженном состоянии. Перед использованием аккумуляторная батарея требует повторной зарядки.

Маркировка на зарядном устройстве и аккумуляторной батарее

Помимо пиктограмм, используемых в данном руководстве, на зарядном устройстве и батарее имеются следующие обозначения:



Перед началом работы прочтите руководство по эксплуатации.





Чтобы узнать время зарядки,
см. **Технические характеристики.**



Не касайтесь токопроводящими предметами контактов батареи и зарядного устройства.



Не пытайтесь заряжать поврежденную батарею.



Не подвергайте электроинструмент или его элементы воздействию влаги.



Немедленно заменяйте поврежденный кабель питания.



Зарядку осуществляйте только при температуре от 4 °C до 40 °C.



Для использования внутри помещений.



Утилизируйте отработанные батареи безопасным для окружающей среды способом.



Заряжайте аккумуляторные батареи DeWALT только с помощью соответствующих зарядных устройств DeWALT. Зарядка иных аккумуляторных батарей отличных от разработанных DeWALT может привести к возгоранию аккумуляторных батарей и возникновению других опасных ситуаций.



Не сжигайте аккумуляторную батарею.

Тип аккумуляторной батареи

Инструменты, работающие от аккумуляторных батарей 18 В: DWST08061.

Могут использоваться следующие типы батарей:

DCB181, DCB182, DCB183, DCB183B, DCB183G, DCB184, DCB184B, DCB184G, DCB185, DCB187, DCB189, DCBP034, DCBP034G, DCBP518, DCBP518G, DCB546, DCB547, DCB547G, DCB548, DCB549. Подробную информацию см. в разделе **«Технические характеристики».**

Комплект поставки

В комплект входят:

- 1 Открытый контейнер половинного размера Toughsystem 2.0
- 1 Литий-ионная аккумуляторная батарея (модели C1, D1, G1, L1, M1, P1, S1, T1, X1, Y1)
- 2 Литий-ионные аккумуляторные батареи (модели C2, D2, G2, L2, M2, P2, S2, T2, X2, Y2)
- 1 Руководство по эксплуатации

ПРИМЕЧАНИЕ. Аккумуляторные батареи не входят в комплект поставки для моделей N. Аккумуляторные батареи

не входят в комплект поставки для моделей NT. Модели B включают в себя аккумуляторные батареи Bluetooth®.

ПРИМЕЧАНИЕ. Словесный товарный знак и логотип Bluetooth® являются зарегистрированными товарными знаками Bluetooth®, SIG, Inc. и любое использование этих знаков DeWALT выполняется по лицензии. Другие торговые марки и названия принадлежат их владельцам.

- Проверьте инструмент, его детали или дополнительные принадлежности на предмет повреждений, которые могли возникнуть во время транспортировки.
- Найдите время и внимательно прочитайте инструкцию и разберитесь в ней, прежде, чем приступить к работе.

Маркировка инструмента

На инструмент нанесены следующие обозначения:



Перед началом работы прочтите руководство по эксплуатации.



Используйте защитные наушники.



Используйте защитные очки



Для использования внутри помещений.

Местоположение кода даты (Рис. А)

Код даты изготовления **26** состоит из 4 цифр года, за которыми следуют 2 цифры недели и 2 цифры заводского кода.

Описание (рис. А)



ОСТОРОЖНО! Никогда не вносите изменения в конструкцию электроинструмента или какой-либо его части. Это может привести к повреждению или травмам.

- 1 Блок фонаря
- 2 Кнопка выключателя правого светодиода
- 3 Правая поворотная светодиодная головка
- 4 Кнопка выключателя левого светодиода
- 5 Левая поворотная светодиодная головка
- 6 Светодиодные индикаторы яркости
- 7 Светодиодные индикаторы уровня заряда
- 8 Разъем для аккумуляторной батареи
- 9 Верхняя рукоятка
- 10 Подвесной крюк
- 11 Защелка подвесного крюка
- 12 Фиксатор для укладки в стопку
- 13 Ручка для переноски
- 14 Отсек для хранения
- 15 Аккумуляторная батарея
- 16 Кнопка фиксатора батареи

- 17 Боковое крепление для инструмента
- 18 Резьбовое крепление 1/4 дюйма
- 19 Резьбовое крепление 5/8 дюйма
- 20 Крепление Tool Connect™

Назначение

DWST08061 предназначен для профессиональной подсветки рабочего места.

ЗАПРЕЩАЕТСЯ использовать в условиях повышенной влажности или поблизости от легковоспламеняющихся жидкостей или газов.

НЕ РАЗРЕШАЙТЕ детям прикасаться к инструменту.

Использование инструмента неопытными пользователями должно происходить под контролем опытного лица.

- **Малолетние дети и люди с ограниченными физическими возможностями.** Данный инструмент не предназначен для использования маленькими детьми или людьми с ограниченными физическими возможностями, если они не находятся под присмотром лица, отвечающего за их безопасность.
- Данный инструмент не предназначен для использования лицами (включая детей) с ограниченными физическими, психическими и умственными возможностями, не имеющими опыта, знаний или навыков работы с ним, если они не находятся под наблюдением лица, ответственного за их безопасность. Никогда не оставляйте детей с этим инструментом без присмотра.

ЭКСПЛУАТАЦИЯ

Инструкции по использованию



ВНИМАНИЕ: Всегда следуйте указаниям действующих норм и правил безопасности.



ВНИМАНИЕ: Чтобы снизить риск получения серьезной травмы, необходимо выключить инструмент и отсоединить батарею, прежде чем выполнять какую-либо регулировку либо удалять/устанавливать какие-либо насадки или дополнительные принадлежности. Случайный запуск может привести к травме.

Расположение поворотных светодиодных головок

(рис. А, С)



ОСТОРОЖНО! Не включайте поворотные светодиодные головки, когда они находятся в закрытом положении или их линзы направлены на блок фонаря, поскольку это может привести к нагреву поверхности фонаря.

Поворотные светодиодные головки **3**, **5** наклоняются вверх и вниз на 0–160° и вращаются на 0–270°.

ПРИМЕЧАНИЕ. Блок фонаря оснащен магнитными датчиками. Если поворотная светодиодная головка **3**, **5** находится в положении хранения, линзой в сторону блока

фонаря, то светодиодная головка **3**, **5** не будет включаться и выключится автоматически.

1. Чтобы передвинуть левую **5** или правую **3** поворотную светодиодную головку, сначала потяните ее наверх от блока фонаря **1**.
2. Чтобы отрегулировать луч, поверните левую **5** или правую **3** поворотную светодиодную головку так, чтобы она приняла нужное положение.
3. Когда они не используются, закройте левую **5** или правую **3** поворотную светодиодную головку так, чтобы линза была в положении хранения и закреплена на блоке фонаря **1**.

Выключатель (рис. А, D)



ОСТОРОЖНО! Во время работы линза сильно нагревается. Во избежание ожогов, не прикасайтесь к горячей линзе.



ОСТОРОЖНО! Располагайте предметы на расстоянии не менее 20 дюймов (51 см) от работающих линз, чтобы предотвратить перегрев предметов.



ОСТОРОЖНО! Чтобы снизить риск воспламенения, держитесь подальше от горячих материалов во время работы.



ВНИМАНИЕ! Запрещается смотреть в линзу фонаря во время работы. Это может привести к серьезным травмам глаз.


ПРИМЕЧАНИЕ. Для получения наилучших результатов перед использованием убедитесь, что аккумуляторная батарея полностью заряжена.

1. Чтобы включить правую поворотную светодиодную головку **3**, нажмите на кнопку выключателя правого светодиода **1**.
2. Чтобы включить левую поворотную светодиодную головку **5**, нажмите на кнопку выключателя левого светодиода **1**.
3. Поворотные светодиодные головки **3**, **5** обладают тремя уровнями яркости мощностью до 2000 люмен. Чтобы поменять уровень яркости, нажмите кнопку выключателя еще раз.
4. Чтобы выключить свет, нажмите кнопку выключателя несколько раз.

ПРИМЕЧАНИЕ. Блок фонаря оснащен магнитными датчиками. Если поворотная светодиодная головка **3**, **5** находится в положении хранения, линзой в сторону блока фонаря, то светодиодная головка **3**, **5** не будет включаться и выключится автоматически.

Индикатор низкого заряда батареи

Как только заряд батареи начнет подходить к концу, фонарь мигнет дважды. Фонарь будет продолжать мигать дважды каждые 45 секунд до тех пор, пока батарея не разрядится полностью, после чего фонарь выключится. Время работы индикатора зависит от емкости аккумуляторной батареи.

 **ВНИМАНИЕ!** Прекратите работу и замените батарею, когда это произойдет.

Режим защиты от перегрева

В случае перегрева, поворотные светодиодные головки **3** автоматически переключатся на более низкий уровень яркости. Если температура продолжит увеличиваться, блок фонаря выключится пока не будет достигнута нормальная рабочая температура.


Верхняя рукоятка (рис. А)


Данный блок фонаря **1** оснащен встроенной верхней рукояткой **9** для удобства переноски блока **1**, когда он не закреплен на отсеке для хранения **14**.


Ручка для переноски (рис. Е)


DWST08061 оснащен встроенной ручкой для переноски **13**, позволяющей переносить DWST08061, когда он подсоединен к коробке ToughSystem®.

Отсек для хранения (рис. F)

 **ОСТОРОЖНО!** Не переполняйте отсек для хранения.

 **ОСТОРОЖНО!** Не закрепляйте блок фонаря на отсеке для хранения силой. Если блок фонаря не закрывается полностью или защелки фиксируются с трудом, убедитесь, что отсек для хранения не переполнен. Извлеките из него несколько предметов и попробуйте закрепить блок фонаря еще раз. При необходимости, отсек для хранения можно установить в стопку на блок фонаря.

 **ОСТОРОЖНО!** При установке дополнительного блока ToughSystem 2.0 на блок фонаря необходимо сначала извлечь аккумуляторную батарею, если она не меньше 6 А ч.


 **ОСТОРОЖНО!** Перед тем как установить еще один блок ToughSystem 2.0 на блок фонаря убедитесь, что световые панели направлены вниз, чтобы избежать включения светодиодных ламп.


DWST08061 оснащен отсеком для хранения **14** дополнительных батарей, кабелей или инструментов.


Блок фонаря и отсек для хранения совместимы с ToughSystem 2.0 и могут устанавливаться вместе или по отдельности со всеми продуктами ToughSystem 2.0.


1. Чтобы получить доступ к отсеку для хранения **14**, сначала снимите блок фонаря **1** с отсека для хранения **14**, нажав на фиксатор для укладки в стопку **12** и подняв блок фонаря **1** с отсека для хранения **14**.
2. Чтобы установить блок фонаря **1** на отсек для хранения **14**, поверните паз **22** блока фонаря в паз **23** отсека для хранения. Нажмите на блок фонаря **1** вниз и вовнутрь до слышимого щелчка. Убедитесь, что блок фонаря **1** надежно зафиксирован на месте.


Подвешивание блока фонаря (рис. А, G)

 **ВНИМАНИЕ!** При подвешивании блока фонаря на крюк не трясите блок фонаря и предмет, на котором он висит. Не подвешивайте блок фонаря на электрических проводах или ненадежно закрепленных предметах. Это может привести к травмам или материальному ущербу.

 **ВНИМАНИЕ!** Для подвешивания блока фонаря используйте только подвесной крюк, как показано на рис. А, G. Подвесной крюк не предназначен для удерживания дополнительного веса. Не прикрепляйте и не подвешивайте какие-либо дополнительные предметы на блок фонаря, так как он может сломаться.

 **ВНИМАНИЕ!** Не используйте подвесной крюк, чтобы дотянуться до чего-либо или для поддержки собственного веса.

 **ВНИМАНИЕ!** Если блок фонаря закреплен сверху, не стойте под ним. Падение блока фонаря может привести к тяжелым травмам.


 **ВНИМАНИЕ!** Не устанавливайте блок фонаря на потолок.

Подвесной крюк

Подвесной крюк **10** используется для подвешивания блока фонаря **1** на деревянных балках 2x4 (38x89 мм) или трубах диаметром до 2,5 дюймов (64 мм).

1. Подвесной крюк **10** выдвигается из нижней части блока фонаря **1**. Перед использованием убедитесь, что подвесной крюк **10** полностью выдвинут.
2. Убирая подвесной крюк **10** на хранение, задвиньте его в углубление подвесного крюка и убедитесь, что крюк **10** встал в защелку подвесного крюка **11**.

Установка блока фонаря с помощью резьбовых креплений для принадлежностей (рис. А, H)

 **ОСТОРОЖНО!** В связи с тем, что дополнительные принадлежности других производителей, кроме DEWALT, не проходили проверку на совместимость с данным изделием, их использование может представлять опасность. Во избежание травм следует использовать для данного инструмента только дополнительные принадлежности, рекомендованные DEWALT.

Если вам нужна помощь при поиске какой-либо принадлежности, свяжитесь с ближайшим сервисным центром DEWALT или посетите наш веб-сайт www.DEWALT.com.

DWST08061 оснащен креплениями со внутренней резьбой 1/4 дюйма x 20 **18** и 5/8 дюйма x 11 **19**. Данные резьбовые крепления предназначены для использования дополнительных принадлежностей DEWALT.

1. Вставьте монтажный винт дополнительной принадлежности в подходящее резьбовое крепление и закрепите ее на фонаре.

ПРИМЕЧАНИЕ. Следуйте инструкциям, входящим в комплект поставки принадлежности.

2. Убедитесь, что фонарь надежно закреплен.

ТЕХНИЧЕСКОЕ ОБСЛУЖИВАНИЕ

! **ОСТОРОЖНО!** Чтобы снизить риск травм, отключите блок и, затем извлеките аккумуляторную батарею, прежде чем выполнять какие-либо настройки, снимать или устанавливать дополнительные принадлежности. Случайный запуск может стать причиной травм.

Ваш инструмент DEWALT имеет длительный срок эксплуатации и требует минимальных затрат на техобслуживание. Срок службы и надежность использования увеличивается при правильном уходе и регулярной чистке.

! **ОСТОРОЖНО!** Замена источника света в данном фонаре может выполняться только изготовителем, в сервисном центре DEWALT или лицом с аналогичной квалификацией.

Хранение и транспортировка

- При хранении инструмента обязательно извлекайте аккумуляторную батарею!
- Избегайте использования DWST08061 вне помещений или транспортировки в открытом транспортном средстве.
- Не используйте инструмент под дождем. Не оставляйте инструмент под дождем.
- Хранить в помещении.
- По возможности храните DWST08061 в сухом и прохладном месте.
- Храните DWST08061 в месте, недоступном для детей или посторонних лиц.
- Перед использованием после длительного хранения проверяйте DWST08061 на наличие повреждений.

Смазка

Ваш электроинструмент не требует дополнительной смазки.

Очистка

! **ОСТОРОЖНО!** Никогда не пользуйтесь растворителями или другими сильнотоксичными химическими веществами для чистки неметаллических частей инструмента. Эти химикаты могут повредить структуру материала, используемого для производства таких деталей. Используйте ткань, смоченную в мягком мыльном растворе. Не допускайте попадания жидкости внутрь устройства; никогда не погружайте никакие из деталей устройства в жидкость.

Дополнительные принадлежности

! **ВНИМАНИЕ:** Поскольку принадлежит, отличные от тех, которые предлагает DEWALT,

не проходили тесты на данном изделии, то использование этих принадлежностей может привести к опасной ситуации. Во избежание риска получения травмы, с данным продуктом должны использоваться только рекомендованные DEWALT дополнительные принадлежности.

По вопросу приобретения дополнительных принадлежностей обращайтесь к Вашему дилеру.

Чип Tool Connect™ (рис. 1)

Дополнительные принадлежности

! **ОСТОРОЖНО!** Чтобы снизить риск травм, отключите блок и отсоедините его от источника питания, затем извлеките аккумуляторную батарею, прежде чем выполнять настройки, устанавливать или снимать дополнительные принадлежности. Случайный запуск может привести к травме.

Ваш инструмент совместим с чипом Tool Connect™ и оснащен разъемом для установки чипа Tool Connect™.

Чип Tool Connect™ 24 устанавливает связь с опциональным приложением на смартфоне или планшете, благодаря чему мобильное устройство можно использовать для управления инвентаризацией.

Более подробную информацию к чипу Tool Connect™ см. в инструкции.

Установка чипа Tool Connect™

1. Вставьте чип Tool Connect™ 24 в пустой разъем 20.
2. Убедитесь, что чип Tool Connect™ как следует вошел в корпус. Вставьте и затяните крепежные винты 25.
3. Более подробную информацию к чипу Tool Connect™ см. в инструкции.

Защита окружающей среды



Отдельная утилизация. Изделия и аккумуляторные батареи с данным символом на маркировке запрещается утилизировать с обычными бытовыми отходами.

Изделия и аккумуляторные батареи содержат материалы, которые могут быть извлечены или переработаны, снижая потребность в исходном сырье. Пожалуйста, утилизируйте электрические изделия и аккумуляторные батареи в соответствии с местными нормами. Дополнительная информация доступна по адресу www.2helpU.com.

Аккумуляторная батарея

Данную аккумуляторную батарею с длительным сроком эксплуатации необходимо перезаряжать, когда она перестает обеспечивать питание, необходимое для выполнения определенных работ. По окончании срока эксплуатации ее следует утилизировать, соблюдая при этом необходимые меры по защите окружающей среды:

- полностью разрядите батарею до конца и извлеките ее из инструмента.
- литий-ионные аккумуляторные батареи подлежат вторичной переработке. Сдайте их нашему дилеру или в местный центр вторичной переработки. В этих пунктах батареи будут подвергнуты повторной переработке или правильной утилизации.



Приложение к руководству по эксплуатации электрооборудования для определения месяца производства по номеру текущей календарной недели года

Электрооборудование торговых марок "Dewalt", "Stanley", "Stanley FatMAX", "BLACK+DECKER".

Директивы 2014/30/EU ЕВРОПЕЙСКОГО ПАРЛАМЕНТА И СОВЕТА от 26 февраля 2014 г. "О гармонизации законодательств Государств-членов ЕС в области электромагнитной совместимости", 2006/42/ЕС ЕВРОПЕЙСКОГО ПАРЛАМЕНТА И СОВЕТА от 17 мая 2006 г. "О машинах и оборудовании"; 2014/35/EU ЕВРОПЕЙСКОГО ПАРЛАМЕНТА И СОВЕТА от 26 февраля 2014 г. "О гармонизации законодательств государств-членов в области размещения на рынке электрооборудования, предназначенного для использования в определенных пределах напряжения".
Серийный выпуск.

ТОВАР СЕРТИФИЦИРОВАН

Орган по сертификации "РОСТЕСТ- Москва", Адрес: 119049, г. Москва, улица Житная, д. 14, стр. 1; 117418, Москва, Нахимовский просп., 31 (фактический), Телефон: (499) 1292311, (495) 6682893, Факс: (495) 6682893, E-mail office@rostest.ru

Изготовитель: Изготовитель: Блэк энд Дежер Холдингс ГмБХ, Германия, 65510, Идшгайн, ул. Блэк энд Дежер, 40, тел. +496126212790.

Уполномоченное изготовителем юр.лицо:

ООО "Стэджи Блэк энд Дежер", 117485, город Москва, улица Обручева, дом 30/1, строение 2
Телефон: + 7 (495) 258-3981, факс: + 7 (495) 258-3984, E-mail: inbox@dewalt.com

Сведения о импортере указаны в сопроводительной документации и/или на упаковке

Хранение.

Необходимо хранить в сухом месте, вдали от источников повышенных температур и воздействия солнечных лучей. При хранении необходимо избегать резкого перепада температур. Хранение без упаковки не допускается

Срок службы.

Срок службы изделия составляет 5 лет. Не рекомендуется к эксплуатации по истечении 5 лет хранения с даты изготовления без предварительной проверки.

Дата изготовления (код даты) указана на корпусе инструмента.

Код даты, который также включает год изготовления, отштампован на поверхности корпуса изделия.

Пример:

2014 46 XX, где 2014 –год изготовления, 46–неделя изготовления.

Определить месяц изготовления по указанной неделе изготовления можно согласно приведенной ниже таблице.

Транспортировка.

Категорически не допускается падение и любые механические воздействия на упаковку при транспортировке.

При разгрузке/погрузке не допускается использование любого вида техники, работающей по принципу зажима упаковки.

Перечень критических отказов, возможные ошибочные действия персонала.

Не допускается эксплуатация изделия:

- При появлении дыма из корпуса изделия
- При поврежденном и/или оголенном сетевом кабеле
- при повреждении корпуса изделия, защитного кожуха, рукоятки
- при попадании жидкости в корпус
- при возникновении сильной вибрации
- при возникновении сильного искрения внутри корпуса

Критерии предельных состояний.

- При поврежденном и/или оголенном сетевом кабеле
- при повреждении корпуса изделия

Месяц	Январь	Февраль	Март	Апрель	Май	Июнь	Июль	Август	Сентябрь	Октябрь	Ноябрь	Декабрь	Год производства
Неделя	1	5	9	14	18	23	27	31	36	40	44	49	2018
	2	6	10	15	19	24	28	32	37	41	45	50	
	3	7	11	16	20	25	29	33	38	42	46	51	
	4	8	12	17	21	26	30	34	39	43	47	52	
			13		22				35			48	
Неделя	1	6	10	14	18	23	27	31	36	40	45	49	2019
	2	7	11	15	19	24	28	32	37	41	46	50	
	3	8	12	16	20	25	29	33	38	42	47	51	
	4	9	13	17	21	26	30	34	39	43	48	52	
	5					22			35		44		
Неделя	1	6	10	14	19	23	27	32	36	40	45	49	2020
	2	7	11	15	20	24	28	33	37	41	46	50	
	3	8	12	16	21	25	29	34	38	42	47	51	
	4	9	13	17	22	26	30	35	39	43	48	52	
	5				18			31		44			
Неделя	2	6	10	14	19	23	27	32	36	41	45	49	2021
	3	7	11	15	20	24	28	33	37	42	46	50	
	4	8	12	16	21	25	29	34	38	43	47	51	
	5	9	13	17	22	26	30	35	39	44	48	52	
				18			31		40			1	
Неделя	2	6	10	15	19	23	28	32	36	41	45	49	2022
	3	7	11	16	20	24	29	33	37	42	46	50	
	4	8	12	17	21	25	30	34	38	43	47	51	
	5	9	13	18	22	26	31	35	39	44	48	52	
			14			27			40			1	



ГАРАНТИЙНЫЙ ТАЛОН



1. Поздравляем Вас с покупкой высококачественного изделия DEWALT и выражаем признательность за Ваш выбор.
2. При покупке изделия требуйте проверки его комплектности и исправности в Вашем присутствии, инструкцию по эксплуатации и заполненный Гарантийный талон на русском языке. В гарантийном талоне должны быть внесены: модель, дата продажи, серийный номер, дата производства инструмента; а также название, печать и подпись торговой организации. При отсутствии у Вас правильно заполненного Гарантийного талона, а также несоответствия указанных в нем данных, мы будем вынуждены отклонить Ваши претензии по качеству данного изделия.
3. Во избежание недоразумений, убедительно просим Вас перед началом работы с изделием внимательно ознакомиться с инструкцией по его эксплуатации. Правовой основой настоящих гарантийных условий является действующее Законодательство. Гарантийный срок на данное изделие составляет 36 месяцев и исчисляется со дня продажи. В случае устранения недостатков изделия, гарантийный срок продлевается на период его нахождения в ремонте. Срок службы изделия составляет 5 лет со дня продажи.
4. В случае возникновения каких-либо проблем в процессе эксплуатации изделия рекомендуем Вам обращаться только к уполномоченные сервисные центры DEWALT, адреса и телефоны которых Вы сможете найти на сайте www.2helpU.com или узнать в магазине. Наши сервисные станции - это не только квалифицированный ремонт, но и широкий ассортимент запчастей и принадлежностей.
5. Производитель рекомендует проводить периодическую проверку и техническое обслуживание изделия в уполномоченных сервисных центрах.
6. Наши гарантийные обязательства распространяются только на неисправности, выявленные в течение гарантийного срока и вызванные дефектами производства и / или материалов.
7. Гарантийные условия не распространяются на неисправности изделия, возникшие в результате:
 - 7.1. Несоблюдения пользователем предписаний инструкции по эксплуатации изделия, применения изделия не по назначению, неправильном хранении, использования принадлежностей, расходных материалов и запчастей, не предусмотренных производителем.
 - 7.2. Механического повреждения (сколы, трещины и разрушения) внутренних и внешних деталей изделия, основных и вспомогательных рукояток, сетевого электрического кабеля, вызванного внешним ударным или любым иным воздействием.
 - 7.3. Попадания в вентиляционные отверстия и проникновение внутрь изделия посторонних предметов, материалов или веществ, не входящих отходами, сопровождающими применение изделия по назначению, такими как: стружка, опилки, песок, и пр.
 - 7.4. Воздействия на изделие неблагоприятных атмосферных и иных внешних факторов, таких как дождь, снег, повышенная влажность, нагрев, агрессивные среды, несоответствие параметров питающей электросети, указанных на инструменте.
 - 7.5. Стихийного бедствия. Повреждение или утрата изделия, связанное с непредвиденными бедствиями, стихийными явлениями, в том числе вследствие действия непреодолимой силы (пожар, молния, потоп и другие природные явления), а также вследствие перепадов напряжения в электросети и других причин, которые находятся вне контроля производителя.
8. Гарантийные условия не распространяются:
 - 8.1. На инструменты, подвергавшиеся вскрытию, ремонту или модификации вне уполномоченного сервисного центра.
 - 8.2. На детали и узлы, имеющие следы естественного износа, такие как: приводные ремни и колеса, угольные щетки, смазка, подшипники, зубчатое зацепление редукторов, резиновые уплотнения, сальники, направляющие ролики, муфты сцепления, бойки, толкатели, стволы, и т.п.
 - 8.3. На сменные и расходные части: цанги, зажимные гайки и фланцы, фильтры, ножи, шлифовальные подошвы, цепи, звездочки, пильные шины, защитные кожухи, пилки, абразивы, пильные и абразивные диски, фрезы, сверла, буры и т.п.
 - 8.4. На неисправности, возникшие в результате перегрузки инструмента (как механической, так и электрической), повлекшей выход из строя одновременно двух и более деталей и узлов, таких как ротора и статора, обеих обмоток статора, ведомой и ведущей шестерни редуктора или других узлов и деталей. К безусловным признакам перегрузки изделия относятся, помимо прочего: появление цветов побежалости, деформация или оплавление деталей и узлов изделия, потемнение или обугливание изоляции проводов электродвигателя под воздействием высокой температуры.

Товар получен в исправном состоянии, без видимых повреждений, в полной комплектации, проверен в моем присутствии, претензий по качеству товара не имею. С условиями гарантийного обслуживания ознакомлен и согласен.

Ф. И. О. и подпись покупателя _____

Уважаемые клиенты, наша сеть авторизованных сервисных центров постоянно расширяется. Актуальную информацию об обслуживании в интересующем вас городе вы можете узнать на сайте

www.2helpU.com

Информация об инструменте

Наименование инструмента	
Модель	
Наименование продавца	
Дата продажи	

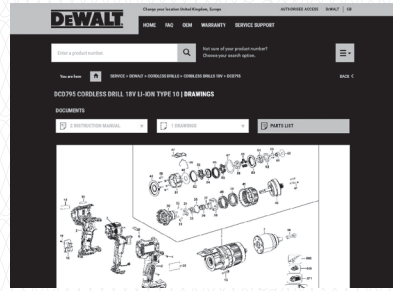
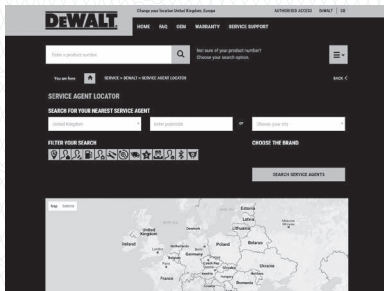
М.П.
Продавца

Серийный номер / Дата производства

Инструмент	
Зарядное устройство	
Аккумулятор 1	
Аккумулятор 2	

На сайте www.2helpU.com доступны следующие функции:

- Список авторизованных сервисных центров
- Удобный поиск ближайшего сервисного центра
- Руководство по эксплуатации
- Технические характеристики
- Список деталей и запасных частей
- Схема сборки инструмента



**Также данную информацию вы можете получить, позвонив по телефону:
8(800) 1000 876**

ОТМЕТКА О ПРОВЕДЕНИИ СЕРВИСНОГО ОБСЛУЖИВАНИЯ

№1	№2	№3	№4
№ заказа	№ заказа	№ заказа	№ заказа
Дата поступления	Дата поступления	Дата поступления	Дата поступления
Дата ремонта	Дата ремонта	Дата ремонта	Дата ремонта
Печать и подпись сервисного центра	Печать и подпись сервисного центра	Печать и подпись сервисного центра	Печать и подпись сервисного центра

18V РЕГУЛЬОВАНИЙ ЛІХТАР З ЯЩИКОМ ДЛЯ ЗБЕРІГАННЯ DWST08061

Вітаємо вас!

Ви обрали інструмент виробництва компанії DEWALT. Ретельна розробка продукції, багаторічний досвід фірми у виробництві інструментів, різні вдосконалення, все це зробило інструменти DEWALT одними із найнадійніших помічників для тих, хто використовує електричні інструменти у своїй професії.

Технічні дані

		DWST08061
Тип		1
Тип акумулятора		Літій-іонний
Напруга	V _{пост. струму}	18
Люмен		
Шарнірна головка зі світлодіодом	лм	Низьк. – 500 Середн. – 1000 Висок. – 2000
Маса (без акумуляторів)	кг	4,83
Рекомендована робоча температура		
Мінімальна		4 °C (39,2 °F)
Максимальна		40 °C (104 °F)



ПОПЕРЕДЖЕННЯ: Уважно прочитайте керівництво з експлуатації для зменшення ризику отримання травми.

Позначення: інструкції з техніки безпеки

Умовні позначення, наведені нижче, описують рівень важливості кожної попереджувальної вказівки. Прочитайте керівництво з експлуатації та зверніть увагу на символи, наведені нижче.



НЕБЕЗПЕЧНО: Вказує на небезпечно загрозу, яка, якщо її не уникнути, призведе до смерті або серйозної травми.



ПОПЕРЕДЖЕННЯ: Вказує на потенційну загрозу, ігнорування якої може призвести до смерті або серйозної травми.



УВАГА: Вказує на потенційну загрозу, ігнорування якої може призвести до травми легкої або середньої тяжкості.

ПРИМІТКА: Вказує на ситуацію, не пов'язану з особою травмою, ігнорування цієї ситуації може призвести до пошкодження майна.



ВКАЗУЄ НА РИЗИК УРАЖЕННЯ ЕЛЕКТРИЧНИМ СТРУМОМ.



ВКАЗУЄ НА РИЗИК ВИНИКНЕННЯ ПОЖЕЖІ.

Спеціальні правила безпеки для ліхтарів



ПОПЕРЕДЖЕННЯ. Не ставте ліхтар в таке положення, при якому хтось може навмисно або ненавмисно подивитися прямо у ліхтар. Це може призвести до серйозного пошкодження очей.



ПОПЕРЕДЖЕННЯ: Небезпека виникнення пожежі. Не використовуйте ліхтар або зарядний пристрій біля вогненебезпечних рідин, при наявності газів в повітрі або у вибухонебезпечній атмосфері. Внутрішні іскри можуть запалити випаровування і спричинити травми.

Додаткові правила техніки безпеки для робочих ліхтарів



ПОПЕРЕДЖЕННЯ. Для зменшення ризику виникнення пожежі не розташовуйте нічого поблизу лінії або поверх неї під час або після використання ліхтаря.



ОБЕРЕЖНО! Не розташовуйте магніти поблизу двопозиційного перемикача. Потужний магніт, який знаходиться поряд з перемикачем ліхтаря, може увімкнути його.

- **Ризик ураження електричним струмом. Не залишайте пристрій під дощем.** Зберігайте пристрій у приміщенні.
- **Не занурюйте робочий ліхтар у будь-яку рідину.**
- **Цей пристрій не призначений для використання особами (включаючи дітей) зі зменшеними фізичними, сенсорними або розумовими можливостями, а також особами, яким бракує досвіду або знань, за винятком випадків, коли такі особи працюють під наглядом або отримали інструкції щодо використання пристрою від особи, яка несе відповідальність за їхню безпеку.**
- **Перед використанням робочого ліхтаря прочитайте всі інструкції та застережні позначки на робочому ліхтарі, зарядному пристрої та акумуляторі.**
- **Якщо робочий ліхтар не використовується, зберігайте його в закритому приміщенні.** Тримайте ліхтар у недоступному для дітей місці.
- **Розташуйте робочий ліхтар подалі від джерел тепла.**
- **Не розбирайте робочий ліхтар.** Якщо ліхтар потребує ремонту, віднесіть його до офіційного сервісного центру. Невідповідні способи повторного збирання можуть призвести до виникнення пожежі або ураження електричним струмом.
- **Перед очищенням робочого ліхтаря вийміть з нього акумулятор.** Це дозволяє знизити ризик ураження електричним струмом.
- **Алюмінієвий корпус всередині захисного чохла має високу температуру.** Намагайтеся не торкатись гарячих поверхонь.

Батареї				Зарядні пристрої/час зарядки (у хвилинали)**										
Кат. №	V _{ис}	Ah	Маса (kg)	DCB104	DCB107	DCB112/ DCB1102	DCB113	DCB115/ DCB1104	DCB116	DCB117	DCB118	DCB132	DCB119	
DCB546	18/54	6,0/2,0	1,08	60	270	170	140	90	80	40	60	90	X	
DCB547/G	18/54	9,0/3,0	1,46	75*	420	270	220	135*	110*	60	75*	135*	X	
DCB548	18/54	12,0/4,0	1,46	120	540	350	300	180	150	80	120	180	X	
DCB181	18	1,5	0,35	22	70	45	35	22	22	22	22	22	45	
DCB182	18	4,0	0,61	60/40**	185	120	100	60	60/45**	60/40**	60/40**	60	120	
DCB183/B/G	18	2,0	0,40	30	90	60	50	30	30	30	30	30	60	
DCB184/B/G	18	5,0	0,62	75/50**	240	150	120	75	75/60**	75/50**	75/50**	75	150	
DCB185	18	1,3	0,35	22	60	40	30	22	22	22	22	22	40	
DCB187	18	3,0	0,54	45	140	90	70	45	45	45	45	45	90	
DCB189	18	4,0	0,54	60	185	120	100	60	60	60	60	60	120	
DCBP034/G	18	1,7	0,32	27	82	50	40	27	27	27	27	27	50	
DCBP518/G	18	5,0	0,75	75	240	150	120	75	60	50	50	75	150	

*Код дати 201811475B або пізніше

**Код дати 201536 або пізніше

***Таблиця представлена тільки для справки; время зарядки может варьироваться.

Залишкові ризики

Дотримання всіх правил техніки безпеки та застосування пристроїв безпеки не гарантує уникнення певних залишкових ризиків. До такого переліку належать:

- *Порушення слуху.*
- *Ризик тілесних ушкоджень через частинки, які розлітаються.*
- *Ризик опіків через нагрівання приладдя під час роботи.*
- *Ризик тілесних ушкоджень через занадто тривале використання.*

ЗБЕРІГАЙТЕ ЦІ ІНСТРУКЦІЇ

Зарядні пристрої

DEWALT не вимагають налаштувань і розроблені для максимально простого використання.

Електрична безпека

Літхар DWST08061 розрахований для роботи лише з одним значенням напруги. Завжди перевіряйте, що напруга акумулятора відповідає напрузі, що вказана в технічних даних. Також переконайтесь, що напруга зарядного пристрою відповідає напрузі мережі живлення.



Ваш зарядний пристрій DEWALT має подвійну ізоляцію відповідно до EN60335; тому заземлення не є необхідним.

Якщо кабель живлення пошкоджений, він повинен бути замінений лише авторизованою DEWALT сервісною організацією.

Використання електричного подовжувача

Використовуйте подовжувальний шнур лише за абсолютної необхідності. Використовуйте лише рекомендований подовжувальний шнур, що відповідає споживаній потужності вашого зарядного пристрою (див. **Технічні дані**).

Мінімальний розмір перерізу провідника становить 1 мм²; максимальна довжина — 30 м.

При використанні кабельного барабану завжди витягуйте весь кабель.

Важливі інструкції з техніки безпеки для всіх зарядних пристроїв

ЗБЕРІГАЙТЕ ЦІ ІНСТРУКЦІЇ: У цьому керівництві містяться важливі інструкції з техніки безпеки та використання для сумісних зарядних пристроїв (див. «**Технічні дані**»).

- *Перед використанням зарядного пристрою прочитайте всі інструкції та попередження на зарядному пристрої, акумуляторах та продукті, для якого ці акумулятори використовуються.*



ПОПЕРЕДЖЕННЯ: Небезпека ураження електричним струмом. Не допускайте потрапляння рідини в зарядний пристрій. Це може призвести до ураження електричним струмом.



ПОПЕРЕДЖЕННЯ: Ми рекомендуємо використовувати пристрій з керуванням диференційним струмом з номінальним значенням диференційного струму 30 мА або менше.



УВАГА: Небезпека опіку. Для зниження ризику виникнення травм заряджайте лише акумулятори DEWALT. Інші типи акумуляторів можуть вибухнути, спричинивши тілесні ушкодження та пошкодження майна.



УВАГА: Уважно слідкуйте за тим, щоб діти не гралися з пристроєм.

ПРИМІТКА: За певних умов, коли зарядний пристрій підключений до мережі живлення, незахищені контакти всередині зарядного пристрою можуть замкнутися будь-яким стороннім предметом. Сторонні предмети, що проводять струм, наприклад металева стружка, алюмінієва фольга

або будь-які металеві деталі, необхідно зберігати подалі від зарядного пристрою. Завжди відключайте зарядний пристрій від розетки, коли батарея не встановлена в зарядний пристрій. Відключіть зарядний пристрій від мережі живлення перед його очищенням

- **НЕ намагайтеся заряджати акумулятор зарядними пристроями, що не вказані в цьому керівництві.** Зарядний пристрій та акумулятори даної моделі розроблені для сумісної експлуатації.
- **Ці зарядні пристрої не призначені ні для чого іншого, крім зарядки акумуляторів DEWALT.** Використання з іншими акумуляторами може призвести до виникнення пожежі або ураження електричним струмом.
- **Не піддавайте зарядний пристрій впливу дощу або снігу.**
- **При відключенні зарядного пристрою від мережі живлення тягніть за вилку, а не за кабель.** Це зменшить ризик пошкодження вилки та кабелю.
- **Переконайтеся, що кабель розміщений так, щоб на нього не наступали, не ходили по ньому та не піддавали його іншим фізичним впливам.**
- **Не використовуйте подовжувальний шнур окрім випадків, коли це абсолютно необхідно.** Використання невідповідних подовжувальних шнурів може призвести до пожежі або ураження електричним струмом.
- **Не кладіть будь-які предмети на зарядний пристрій та не залишайте зарядний пристрій на м'якій поверхні, що може заблокувати вентиляційні отвори та призвести до надмірного нагрівання.** Розташуйте зарядний пристрій подалі від джерел тепла. Зарядний пристрій вентилюється крізь отвори у верхній та нижній частинах корпусу.
- **Не використовуйте зарядний пристрій із пошкодженим кабелем або вилкою — їх потрібно негайно замінити.**
- **Не використовуйте зарядний пристрій, якщо той отримав різкий удар, впав або був пошкоджений іншим чином.** Віднесіть його до авторизованого сервісного центру.
- **Якщо зарядний пристрій вимагає технічного обслуговування або ремонту, не розбирайте його самотужки, а віднесіть до авторизованого сервісного центру.** Невідповідні способи використання можуть призвести до виникнення пожежі або ураження електричним струмом.
- Якщо кабель живлення пошкоджено, для уникнення небезпеки його необхідно негайно замінити, звернувшись до виробника, спеціаліста сервісного центру або іншого кваліфікованого спеціаліста.
- **Відключайте зарядний пристрій від розетки перед його очищенням. Це дозволяє знизити**

ризик ураження електричним струмом. Видалення акумулятора не знижує ризик.

- **НИКОЛИ не намагайтесь з'єднати два зарядні пристрої.**
- **Цей зарядний пристрій розрахований на роботу зі стандартною напругою побутової електромережі 230 В. Не намагайтесь використовувати його з іншою напругою.** Це не стосується автомобільних зарядних пристроїв.

Зарядка акумулятора (Рис. [Fig.] B)

1. Підключіть зарядний пристрій до відповідної розетки перед встановленням акумулятора.
2. Вставте акумулятор **15** у зарядний пристрій до упору. Червоний індикатор («зарядка») буде блимати, вказуючи на початок процесу зарядки.
3. Коли зарядку завершено, червоний індикатор горить, не блимаючи. Це означає, що акумулятор повністю заряджений та може використовуватися одразу або залишатися в зарядному пристрої. Щоб витягнути акумулятор із зарядного пристрою, натисніть кнопку деблокування **16** на акумуляторі.

ПРИМІТКА: щоб забезпечити максимальну продуктивність та тривалість роботи літій-іонного акумулятора, повністю зарядіть його перед першим використанням.

Робота зарядного пристрою

Нижче описані індикатори стану зарядки акумулятора.

Індикатори зарядки	
	Заряджається
	Повністю заряджений
	Затримка через надмірно високу/низьку температуру акумулятора*

*Червоний індикатор буде продовжувати миготіти, а жовтий індикатор буде горіти під час виконання цього завдання. Коли акумулятор досягне прийнятної температури, жовтий індикатор згасне, а зарядний пристрій відновить процес зарядки.

Сумісний зарядний пристрій не буде заряджати несправний акумулятор. Зарядний пристрій розпізнає несправну батарею та не ввімкне світлового індикатора.

ПРИМІТКА: Це також може свідчити про проблему з зарядним пристроєм.

Якщо виявлено проблему із зарядним пристроєм, віднесіть зарядний пристрій та акумулятор для перевірки в авторизований сервісний центр.

Затримка через надмірно високу/низьку температуру акумулятора

Якщо зарядний пристрій визначає, що акумулятор є надмірно гарячим або холодним, він автоматично вмикає режим температурної затримки, припиняючи процес зарядки, доки акумулятор не досягне відповідної

температури. Після досягнення прийнятної температури зарядний пристрій автоматично перемикається в режим зарядки акумулятора. Ця функція забезпечує максимальний термін служби акумулятора.

Холодний акумулятор буде заряджатися повільніше порівняно з теплим акумулятором. Такий акумулятор буде заряджатися повільніше протягом всього циклу зарядки та не повернеться до максимального значення зарядки, навіть якщо нагріється.

Зарядний пристрій DCB118 оснащений внутрішнім вентилятором, призначеним для охолодження акумулятора. Вентилятор автоматично вмикається, коли акумулятор потребує охолодження. Ніколи не використовуйте зарядний пристрій, якщо вентилятор працює неналежним чином або вентиляційні отвори заблоковані. Уникайте потрапляння сторонніх предметів усередину зарядного пристрою.

Електронна система захисту

Інструменти з літій-іонними акумуляторами XR розроблені з використанням електронної системи захисту, яка захищає акумулятор від перевантаження, перегрівання або глибокої розрядки.

Пристрій автоматично вимикається, якщо спрацює електронна система захисту. Якщо це сталося, встановіть літій-іонний акумулятор в зарядний пристрій до повної зарядки.

Кріплення на стіну

Ці зарядні пристрої можна закріпити на стіні, чи поставити на стіл або іншу робочу поверхню. При кріпленні на стіну розташуйте зарядний пристрій недалеко від електричної розетки, а також подалі від кутів та інших перешкод, що заважають повітряному потоку. Скористайтеся задньою частиною зарядного пристрою в якості шаблону для розташування кріпильних гвинтів на стіні. Надійно зафіксуйте зарядний пристрій за допомогою шурупів (потрібно придбати окремо) довжиною приблизно 25,4 мм з голівкою діаметром 7–9 мм, що закручуються в дерев'яну поверхню до оптимальної глибини, щоб залишилося приблизно 5,5 мм. Вирівняйте отвори на задній поверхні зарядного пристрою з виступаючими шурупами, після чого повністю вставте шурупи в отвори.

Інструкції з очищення зарядного пристрою



ПОПЕРЕДЖЕННЯ: Небезпека ураження електричним струмом. Відключіть зарядний пристрій від розетки змінного струму перед його очищенням. Бруд та жир можна видалити з поверхні зарядного пристрою за допомогою ганчірки або м'якої неметалевої щітки. Не використовуйте воду та мийні розчини. Не дозволяйте рідині потрапляти всередину інструмента та ніколи не занурюйте деталі інструмента в рідину.

Акумулятор

Важливі інструкції з техніки безпеки для різних типів акумуляторів

При замовленні змінних акумуляторів не забудьте вказати

номер за каталогом та напругу.

Новий акумулятор заряджений не повністю. Перед використанням акумулятора та зарядного пристрою прочитайте всі нижче наведені інструкції з техніки безпеки. Після цього виконайте всі вказані пункти процедури зарядки.

ПРОЧИТАЙТЕ ВСІ ІНСТРУКЦІЇ

- **Не заряджайте та не використовуйте акумулятор у вибухонебезпечних умовах, наприклад в присутності легкозаймистих рідин, газів або пилу.** Під час встановлення або виймання батареї з зарядного пристрою може спалахнути пил або пара.
- **Не прикладайте зусилля, вставляючи акумулятор в зарядний пристрій. Жодним чином не модифікуйте акумулятор, аби встановити його в несумісний зарядний пристрій, адже акумулятор може розірватися та спричинити серйозні травми.**
- Використовуйте тільки зарядні пристрої DeWALT для зарядження акумуляторів.
- **НЕ занурюйте акумулятор у воду та інші рідини та не бризкайте на нього.**
- **Не зберігайте та не використовуйте інструмент та акумулятор у місцях, де температура може сягати або перевищувати 40 °C (104 °F) (наприклад, біля гаражів або металевих будівель влітку).**
- **Не спалюйте акумулятор, навіть якщо він сильно пошкоджений або повністю зношений.** Акумулятор може вибухнути у вогні. Коли літій-іонні акумулятори горять, утворюються токсичні випаровування та речовини.
- **Якщо вміст акумулятора потрапив на шкіру, негайно промийте це місце м'яким милом та водою.** Якщо рідина з акумулятора потрапила в очі, промийте відкрите око протягом 15 хвилин або доки подразнення не зникне. Якщо необхідно звернутися до лікаря, акумуляторний електродит складається з суміші рідких органічних вуглекислих солей та солей літію.
- **Вміст відкритого акумулятора може спричинити подразнення дихальних шляхів.** Вийдіть на свіже повітря. Якщо симптоми не зникнуть, зверніться до лікаря.



ПОПЕРЕДЖЕННЯ: Небезпека опіку. Рідина з акумулятора може спалахнути, якщо на неї потрапить іскра або полум'я.



ПОПЕРЕДЖЕННЯ: За жодних умов не намагайтесь відкрити акумулятор. За будь-якого пошкодження акумулятора не встановлюйте його у зарядний пристрій. Не бийте, не кидайте та не пошкоджуйте акумулятор. Не використовуйте акумулятор та зарядний пристрій, якщо ті отримали різкий удар, впали або були пошкоджені іншим чином (наприклад, були проколоті цвяхом, вдарені молотком, на них наступили). Це може призвести до ураження електричним струмом. Пошкоджені акумулятори

необхідно повернути до сервісного центру для переробки.



ПОПЕРЕДЖЕННЯ: Небезпека виникнення пожежі. Зберігайте та переносьте акумулятор так, щоб металеві предмети не торкалися його відкритих контактів. Наприклад, не кладіть акумулятор у фартух, кишені, ящики з інструментами, коробки з наборами приладдя, сушляди тощо, де можуть бути цвяхи, гвинти, ключі тощо.



УВАГА: Коли інструмент не використовується, залишайте його на боці на стабільній поверхні в такому місці, де через нього не можна перепечитися та впасти. Деякі інструменти з великими акумуляторами можуть стояти на батареї, але їх можна легко перекинути.

Транспортування



ПОПЕРЕДЖЕННЯ: Небезпека виникнення пожежі. Під час перевезення акумуляторів може виникнути пожежа, якщо контакти акумулятора випадково вийдуть в контакт з електропровідним матеріалом. Під час перевезення акумуляторів переконайтесь, що їхні контакти захищені та добре ізольовані від матеріалів, які можуть увійти з ними в контакт та викликати коротке замикання.
ПРИМІТКА: При перевезенні літій-іонних акумуляторів не можна здавати їх в багаж.

Акумулятори DeWALT відповідають всім нормам перевезення, описаним у галузевих та законодавчих положеннях, включно з рекомендаціями ООН про перевезення небезпечних вантажів, правилами перевезення небезпечних вантажів Міжнародної організації повітряного транспорту (IATA), міжнародними правилами перевезення небезпечних вантажів водним транспортом (IMDG) та Європейській угоді про міжнародне дорожнє перевезення небезпечних вантажів (ADR). Літій-іонні елементи живлення та акумулятори були перевірені відповідно до розділу 38.3 керівництва з тестів та критеріїв щодо перевезення небезпечних вантажів Рекомендації ООН.

У більшості випадків перевезення акумуляторів DeWALT може не класифікуватися як перевезення небезпечних речовин, що підпадають під клас 9. Загалом тільки вантажі, що містять літій-іонні акумулятори ємністю більше за 100 ват-годин (Вт-год.), вимагають транспортування відповідно до норм перевезення небезпечних речовин, що повністю підпадають під Клас 9. На всі літій-іонні акумулятори нанесено значення ват-годин. Крім того, через складності законодавчих норм компанія DeWALT не рекомендує транспортування окремо літій-іонних акумуляторів повітряним транспортом, незалежно від показника ват-годин. Перевезення інструментів з акумуляторами (у комплекті) можна виконувати повітряним транспортом, якщо значення ват-годин не перевищує 100 Вт-год.

Незалежно від того, чи вантаж вважається виключеним або повністю регламентованим, вантажовідправник несе

відповідальність за відповідність останнім нормам щодо вимог до упаковки, етикеток/маркування та документації. Інформація, що наводиться у цьому розділі керівництва, сумлінно перевірена та вважається дійсною на момент складання документації. Проте чинні нормативи можуть підлягати змінам. Покупець несе відповідальність за те, щоб його дії відповідали певним нормам.

Рекомендації щодо зберігання

1. Найкращим місцем для зберігання інструмента є прохолодне сухе місце, куди не потрапляють прямі сонячні промені та немає доступу тепла та холоду. Для оптимальної продуктивності та терміну служби батарей зберігайте їх за кімнатної температури, коли вони не використовуються.
2. При тривалому зберіганні для оптимального результату рекомендується помістити повністю заряджений акумулятор у сухе прохолодне місце поза зарядним пристроєм.

ПРИМІТКА: Не рекомендується зберігати акумулятор повністю розрядженим. Акумулятор потрібно перезарядити перед використанням.

Етикетки на зарядному пристрої та акумуляторі

Крім символів, що використовуються у цьому керівництві, етикетки на зарядному пристрої та акумуляторі можуть містити наведені нижче позначки.



Прочитайте інструкції цього керівництва перед використанням.



Див. розділ «Технічні дані» щодо часу зарядки.



Не торкайтеся електропровідними предметами.



Не заряджайте пошкоджені акумулятори.



Не піддавайте впливу води.



Негайно замінійте пошкоджений дріт живлення.



Заряджайте акумулятор за температури 4–40 °C.



Лише для використання в приміщенні.



Утилізуйте акумулятори з належною турботою про навколишнє середовище.



Заряджайте акумулятори DeWALT лише за допомогою спеціальних зарядних пристроїв

DeWALT. Зарядка інших акумуляторних батарей, ніж призначені DeWALT, у зарядному пристрої DeWALT може призвести до їх вибуху або інших небезпечних ситуацій.



Не спалюйте акумулятори.

Тип акумулятора

Наступні інструменти працюють від акумулятора потужністю 18-вольт: DWST08061.

Для експлуатації придатні акумулятори наступних моделей:

DCB181, DCB182, DCB183, DCB183B, DCB183G, DCB184, DCB184B, DCB184G, DCB185, DCB187, DCB189, DCBP034, DCBP034G, DCBP518, DCBP518G, DCB546, DCB547, DCB547G, DCB548, DCB549. Див. додаткову інформацію в розділі «Технічні дані».

Комплект поставки

Комплект містить:

- 1 Відкритий ящик Toughsystem 2.0 половинного розміру
- 1 Літій-іонний акумулятор (моделі C1, D1, G1, L1, M1, P1, S1, T1, X1, Y1)
- 2 Літій-іонні акумулятори (моделі C2, D2, G2, L2, M2, P2, S2, T2, X2, Y2)
- 1 Посібник з експлуатації

ПРИМІТКА. Акумулятори не входять до комплекту моделей N. Акумулятори не входять до комплекту моделей NT.

Акумулятори для приладів з підтримкою Bluetooth® входять до комплекту моделей B.

ПРИМІТКА. Текстовий знак та логотипи Bluetooth® є зареєстрованими товарними знаками, що належать компанії Bluetooth®, SIG, Inc. Будь-яке використання таких знаків компанією DeWALT здійснюється згідно з ліцензією. Інші торгові марки й торгові назви належать відповідним власникам.

- *Перевірте інструмент, деталі та приладдя на пошкодження, що могли виникнути під час транспортування.*
- *Перед використанням уважно прочитайте та повністю зрозумійте цей посібник.*

Маркування на інструменті

На інструменті є такі піктограми:



Прочитайте інструкції цього посібника перед використанням.



Використовуйте засоби захисту органів слуху.



Використовуйте засоби захисту очей



Для використання лише у приміщенні.

Розташування коду дати (рис. А)

Код дати виробництва **26** складається із 4 цифр року, за якими йдуть 2 цифри тижня і додатково 2 цифри коду підприємства.

Опис (рис. А)



ПОПЕРЕДЖЕННЯ: Ніколи не модифікуйте електричні інструменти та їх деталі. Це може призвести до пошкодження майна або тілесних ушкоджень.

- 1 Блок ліхтаря
- 2 Правий двопозиційний перемикач світлодіода
- 3 Права шарнірна головка зі світлодіодом
- 4 Лівий двопозиційний перемикач світлодіода
- 5 Ліва шарнірна головка зі світлодіодом
- 6 Світлодіодний індикатор яскравості
- 7 Світлодіодний Індикатор стану заряду
- 8 Акумуляторний відсік
- 9 Верхня ручка
- 10 Гачок для підвішування
- 11 Затискач гачка для підвішування
- 12 Фіксатор
- 13 Ручка для перенесення
- 14 Інструментальний ящик
- 15 Акумулятор
- 16 Кнопка виймання акумулятора
- 17 Бічний елемент для кріплення інструмента
- 18 Нарізний кріпильний елемент 1/4"
- 19 Нарізний кріпильний елемент 5/8"
- 20 Кріпильний елемент Tool Connect™

Сфера застосування

Цей DWST08061 розроблений для професійного використання з метою освітлення.

НЕ використовуйте за умов підвищеної вологості або в присутності легкозаймистих рідин та газів.

НЕ дозволяйте дітям торкатися інструмента. Використання інструмента недосвідченими операторами потребує нагляду.

- **Діти та люди з обмеженими можливостями.** Цей пристрій не призначений для використання дітьми та особами з обмеженими розумовими та фізичними можливостями без стороннього контролю.
- Цей пристрій не призначений для використання особами (включаючи дітей) зі зниженими фізичними, сенсорними або розумовими можливостями або особами, яким бракує досвіду або знань за винятком випадків, коли такі особи працюють під наглядом особи, яка несе відповідальність за їх безпеку. Не можна залишати дітей наодинці з цим пристроєм.

РЕЖИМ РОБОТИ

Інструкції з використання



ПОПЕРЕДЖЕННЯ: Завжди дотримуйтесь усіх інструкцій з техніки безпеки та відповідних норм.

! **ПОПЕРЕДЖЕННЯ:** Щоб знизити ризик серйозних тілесних ушкоджень, вимкніть інструмент та відключіть акумулятор перед виконанням будь-яких налаштувань або зніманням/встановленням додаткового обладнання або приладдя. Випадковий запуск може призвести до травм.

Встановлення шарнірної головки зі світлодіодом (рис. А, С)

! **ПОПЕРЕДЖЕННЯ:** Не намагайтесь використовувати шарнірну головку зі світлодіодом в замкненому положенні, або коли лінза спрямована в напрямку блока ліхтаря, оскільки поверхня, на яку світить ліхтар, може бути гарячою.

Шарнірна головка зі світлодіодом **3**, **5** повертається догори та вниз на 0°–160° та обертається на 0°–270°.

ПРИМІТКА. Блок ліхтаря оснащений магнітними датчиками. Якщо зберігання шарнірної головки зі світлодіодом **3**, **5** здійснюється при лінзі, спрямованій на блок ліхтаря, шарнірна головка зі світлодіодом **3**, **5** не буде вмикатись, а вимикатиметься автоматично.

1. Щоб перемістити ліву шарнірну головку зі світлодіодом, **5** або праву шарнірну головку зі світлодіодом, **3** спочатку потягніть його догори та в напрямку від блока ліхтаря **1**.
2. Щоб відрегулювати світловий промінь, перевірте ліву шарнірну головку зі світлодіодом, **5** або праву шарнірну головку зі світлодіодом, **3** встановивши його у відповідне положення.
3. Якщо ліва шарнірна головка зі світлодіодом **5** або права шарнірна головка зі світлодіодом не використовуються, **3** складіть її; при цьому лінза повинна знаходитись в положенні зберігання і бути закріплена в блоці ліхтаря **1**.

Двопозиційний перемикач (рис. А, D)

! **ПОПЕРЕДЖЕННЯ:** Лінзи сильно нагріваються під час роботи. Щоб знизити ризик опіків, не торкайтесь лінзи.

! **ПОПЕРЕДЖЕННЯ:** Для запобігання перегріванню предметів тримайте їх на відстані не менше 20" (51 см) від лінз під час роботи.

! **ПОПЕРЕДЖЕННЯ:** Щоб знизити ризик виникнення пожежі під час роботи тримайтеся подалі від займистих матеріалів.

! **ОБЕРЕЖНО!** Не дивіться на лінзи ліхтаря в ящику для ліхтаря. Це може призвести до серйозного пошкодження очей.

ПРИМІТКА. Для забезпечення найкращих результатів, перед використанням слід переконавшись, що акумулятор повністю заряджений.

1. Щоб увімкнути праву шарнірну головку зі світлодіодом **3**, натисніть на правий двопозиційний перемикач світлодіода **1**.
2. Щоб увімкнути ліву шарнірну головку зі світлодіодом **5**, натисніть на лівий двопозиційний перемикач світлодіода **1**.
3. Кожна шарнірна головка зі світлодіодом **3**, **5** має три рівні яскравості, до 2000 люменів. Щоб змінити рівень яскравості, продовжуйте натискати на кнопку двопозиційного перемикача.
4. Продовжуйте періодично натискати на кнопки двопозиційних перемикачів до вимкнення ліхтаря.

ПРИМІТКА. Блок ліхтаря оснащений магнітними датчиками. Якщо зберігання шарнірної головки зі світлодіодом **3**, **5** здійснюється при лінзі, спрямованій на блок ліхтаря, шарнірна головка зі світлодіодом **3**, **5** не буде вмикатись, а вимикатиметься автоматично.

Індикатор низького рівня заряду акумулятора

Коли акумулятор наблизиться до стану повного розрядження, ліхтар двічі заблимає. Ліхтар буде блимати двічі через кожні 45 секунд до повного розрядження акумулятора. Коли це станеться, ліхтар вимкнеться. Час індикації низького заряду відрізняється в залежності від місткості акумулятора.

! **ОБЕРЕЖНО!** Припиніть роботу та замініть акумулятор в наступному випадку.

Режим захисту від перегрівання

У випадку перегрівання світлосила шарнірної головки зі світлодіодом **3** автоматично переходить на найближчий нижчий рівень яскравості. Якщо температура продовжує зростати, ліхтар буде вимкнений доти, доки не відновиться нормальна робоча температура.

Верхня ручка (рис. А)

Блок ліхтаря **1** має вбудовану верхню ручку **9**, яка дозволяє переносити ящик з ліхтарем **1**, якщо він не прикріплений до відсіку для речей **14**.

Ручка для перенесення (рис. Е)

Цей DWST08061 має вбудовану ручку для перенесення **13** за допомогою якої можна переносити DWST08061, якщо його прикріплено до інструментального ящика ToughSystem®.

Інструментальний ящик (рис. F)

! **ПОПЕРЕДЖЕННЯ:** Не переповнюйте інструментальний ящик.

! **ПОПЕРЕДЖЕННЯ:** Не прикріплюйте примусово блок ліхтаря до інструментального ящику.

Якщо блок ліхтаря не прикріплюється повністю, або якщо засувки не замикаються легко, перевірте, чи не переповнено інструментальний ящик. Вийміть кілька предметів та спробуйте знову прикріпити блок ліхтаря. У разі необхідності ви можете

зафіксувати інструментальний ящик зверху на блок ліхтаря.



ПОПЕРЕДЖЕННЯ: При монтажі додаткового комплекту ToughSystem 2.0 зверху на блоці ліхтаря, необхідно перш за все демонтувати акумулятор; виняток становлять акумулятори місткістю менше ніж 6 А-год.



ПОПЕРЕДЖЕННЯ: Перед монтажем додаткового комплекту ToughSystem 2.0 зверху на блоці ліхтаря переконайтеся, що панелі ліхтаря спрямовані вниз, щоб запобігти увімкненню світлодіодних ліхтарів.

Цей DWST08061 має інструментальний ящик **14** для зберігання додаткових акумуляторів, кабелів або інструментів.

Блок ліхтаря та інструментальний ящик є сумісними з ToughSystem 2.0 і можуть монтуватись разом з будь-якими виробами лінійки ToughSystem 2.0 або окремо від них.

- Щоб отримати доступ до інструментального ящика, **14** від'єднайте блок ліхтаря **1** від інструментального ящика, **14** натиснувши на фіксатор, **12** а потім зніміть блок ліхтаря **1** з інструментального ящика **14**.
- Щоб установити блок ліхтаря **1** на інструментальний ящик **14**, накрутіть отвір блока ліхтаря **22** на отвір інструментального ящика **23**. Притисніть блок ліхтаря донизу **1** та вглиб доти, доки не почуєте клацання. Переконайтеся, що блок ліхтаря **1** надійно закріплений.

Підвішування блока ліхтаря (рис. А, G)



ОБЕРЕЖНО! Якщо блок ліхтаря висить на гачку для підвішування, не трусіть ані блок ліхтаря, ані предмет, на якому він висить. Не вішайте блок ліхтаря на будь-які електричні дроти або на незакріплені предмети. Це може стати причиною пошкодження майна або травм.



ОБЕРЕЖНО! Використовуйте гачок для підвішування лише для підвішування блока ліхтаря, як показано на рис. А, G. Гачок для підвішування не призначений для утримання додаткової ваги. Не прикріплюйте та не вішайте нічого додаткового до блока ліхтаря, щоб уникнути ризику поломки.



ОБЕРЕЖНО! Ні в якому разі не використовуйте гачок для підвішування, щоб до чогось дотягнутися або щоб підтримувати власну вагу.



ОБЕРЕЖНО! Не стійте під блоком ліхтаря, коли його встановлюють зверху. Падіння блока ліхтаря може призвести до серйозних травм або пошкодження.



ОБЕРЕЖНО! Не кріпите блок ліхтаря до стелі.

Гачок для підвішування

Гачок для підвішування **10** можна використовувати для підвішування блока ліхтаря **1** на дошках розміром 2x4 або на трубах діаметром до 2-1/2" (64 мм).

- Гачок для підвішування **10** розкладається знизу блока ліхтаря **1**. Перед використанням ліхтаря розкрийте гачок для підвішування повністю **10**.

- З метою зберігання гачка для підвішування **10** складіть його в спеціальну заглибину для гачка; гачок для підвішування повинен **10** щільно закріплений затискачем гачка для підвішування **11**.

Монтаж блока ліхтаря за допомогою нарізного кріпильного приладдя (рис. А, Н)



ПОПЕРЕДЖЕННЯ: Оскільки інше приладдя, що не рекомендоване компанією DeWALT, не було перевірене з цим пристроєм, використання такого приладдя може бути небезпечним. Щоб зменшити ризик травмування, з цим виробом слід використовувати виключно приладдя, рекомендоване компанією DeWALT.

Якщо вам необхідна допомога у встановленні будь-якого приладдя, зверніться до найближчого сервісного центра компанії DeWALT або завітайте до нашого веб-сайту www.DeWALT.com.

DWST08061 оснащений кріпильними елементами з внутрішньою нарізкою 1/4 x 20 **18** та 5/8 x 11 **19**. Ці нарізні кріпильні елементи призначені для розміщення існуючого або майбутнього приладдя DeWALT.

- Вкрутіть кріпильний гвинт приладдя у відповідний нарізний кріпильний елемент та прикріпіть приладдя до ліхтаря.

ПРИМІТКА. Дотримуйтесь інструкцій, що додаються до приладдя.

- Ліхтар повинен бути надійно закріплений.

ТЕХНІЧНЕ ОБСЛУГОВУВАННЯ



ПОПЕРЕДЖЕННЯ. Щоб знизити ризик серйозних травм, вимкніть інструмент та а також витягніть акумулятор перед виконанням будь-яких налаштувань або зніманням/встановленням насадок або приладдя. Випадковий запуск може призвести до травм.

Цей прилад DeWALT призначений для роботи упродовж тривалого часу з мінімальним обслуговуванням. Довга задовільна робота приладу залежить від його належного обслуговування та регулярного очищення.



ПОПЕРЕДЖЕННЯ. Заміну джерела світла, що міститься в цьому ліхтарі, має здійснювати лише виробник, сервісний центр компанії DeWALT, або атестований спеціаліст з аналогічною кваліфікацією.

Зберігання та транспортування

- Зберігання завжди здійснюється без акумулятора!
- Не використовуйте DWST08061 поза приміщенням і не перевозьте його у відкритих транспортних засобах.
- Не використовуйте пристрій під дощем. Не залишайте пристрій під дощем.
- Зберігайте пристрій у приміщенні.

- Зберігайте DWST08061 в максимально прохолодному та сухому місці.
- Зберігайте DWST08061 в місцях, недоступних для дітей або сторонніх осіб.
- Перед використанням після тривалого зберігання перевірте DWST08061 на наявність пошкоджень.

Змащування

Ваш електричний інструмент не вимагає додаткового змащування.

Очищення



ПОПЕРЕДЖЕННЯ: Ніколи не використовуйте розчинники та інші агресивні хімічні засоби для очищення неметалевих деталей інструмента. Такі хімічні речовини можуть нанести шкоду пластиковим матеріалам, що використовуються в цих деталях. Використовуйте вологу ганчірку, змочену лише водою з м'яким милом. Не дозволяйте рідині потрапляти всередину інструмента та ніколи не занурюйте деталі інструмента в рідину.

Додаткові аксесуари



ПОПЕРЕДЖЕННЯ: Оскільки інше приладдя, що не зазначене виробником DEWALT, не перевірялося з цим пристроєм, його використання з інструментом може бути небезпечним. Необхідно використовувати лише рекомендовані DEWALT приладдя з цим пристроєм, щоб знизити ризик отримання травми.

Зверніться до свого дилера для отримання подальшої інформації щодо відповідного приладдя.

Чіп Tool Connect™ (рис. 1)

Додаткове приладдя



ПОПЕРЕДЖЕННЯ. Щоб знизити ризик серйозних травм, **вимкніть інструмент та відключіть його від мережі живлення та витягніть акумулятор перед виконанням будь-яких налаштувань або зніманням/встановленням насадок або приладдя.** Випадковий запуск може призвести до травм.

Ваш інструмент підтримує чіпи Tool Connect™ і в ньому передбачено місце для встановлення чіпа Tool Connect™.

Чіп Tool Connect™ **24** зв'язується з додатковим застосунком на вашому мобільному пристрої (наприклад, на смартфоні чи планшеті) та підключає пристрій до інструмента, дозволяючи використовувати мобільний застосунок для проведення інвентаризації та керування режимами роботи пристрою.

Додаткову інформацію див. у розділі **Tool Connect™ Інструкції з використання чіпа.**

Встановлення чіпа Tool Connect™

1. Вставте чіп Tool Connect™ **24** в порожнє гніздо **20**.
2. Переконайтеся, що чіп Tool Connect™ знаходиться врівень з корпусом. Закріпіть його стопорними гвинтами **25** і затягніть гвинти.

3. Додаткову інформацію див. у розділі **Tool Connect™ Інструкції з використання чіпа.**

Захист навколишнього середовища



Роздільний збір. Пристрої і акумулятори позначені цим символом, не можна викидати зі звичайним побутовим сміттям.

Пристрої і акумулятори містять матеріали, які можна відновити та переробити, що зменшить потребу у сировині. Утилізуйте електротехнічну продукцію і акумулятори відповідно до місцевих положень. Більш детальну інформацію можна отримати на сайті www.2helpU.com.

Придатність акумулятора для перезарядки

Дана модель акумулятора підлягає перезарядці у випадку зниження його потужності при виконанні завдань, що попередньо не вимагали особливих зусиль. Наприкінці терміну служби акумулятора утилізуйте його у спосіб, безпечний для навколишнього середовища.

- Повністю розрядіть акумулятор, потім витягніть його з інструменту.
- Літій-іонні акумулятори можна повторно переробляти. Відправте їх до свого дилера або на місцеву переробну станцію. Там зібрані акумулятори будуть перероблені або знищені належним чином.



Виробник:
"Stanley Black & Decker Deutschland GmbH" Black-&-Decker Str.40, D-65510 Idstein, Німеччина

DEWALT

ГАРАНТІЙНИЙ ТАЛОН

**3 РОКИ
ГАРАНТІЇ**

1. Вітаємо Вас з покупкою високоякісного виробу DEWALT і висловлюємо вдячність за Ваш вибір.
2. При покупці виробу вимагайте перевірки його комплектності і справності у Вашій присутності, інструкцію з експлуатації та заповнений гарантійний талон українською мовою. В гарантійному талоні повинні бути внесені: модель, дата продажу, серійний номер, дата виробництва інструменту, назва, печатка і підпис торгової організації. За відсутності у Вас правильно заповненого гарантійного талону, а також при невідповідності зазначених у ньому даних ми будемо змушені відхилити Ваші претензії щодо якості даного виробу.
3. Щоб уникнути непорозумінь, переконливо просимо Вас перед початком роботи з виробом уважно ознайомитися з інструкцією з його експлуатації. Правовою основою справжніх гарантійних умов є чинне Законодавство. Гарантійний термін на даний виріб складає 36 місяці і обчислюється з дня продажу. У разі усунення недоліків виробу, гарантійний строк продовжується на період його перебування в ремонті. Термін служби виробу становить 5 років з дня продажу.
4. У разі виникнення будь-яких проблем у процесі експлуатації виробу рекомендуємо Вам звертатися тільки в уповноважені сервісні центри DEWALT, адреси та телефони яких Ви зможете знайти в гарантійному талоні, на сайті www.2helpU.com або дізнатися в магазині. Наші сервісні станції - це не тільки кваліфікований ремонт, але і широкий асортимент запчастин і аксесуарів.
5. Виробник рекомендує проводити періодичну перевірку і технічне обслуговування виробу в уповноважених сервісних центрах.
6. Наші гарантійні зобов'язання поширюються тільки на несправності, виявлені протягом гарантійного терміну і викликані дефектами виробництва та \ або матеріалів.
7. Гарантійні умови не поширюються на несправності виробу, що виникли в результаті:
 - 7.1. Недотримання користувачем приписів інструкції з експлуатації виробу, застосування виробу не за призначенням, неправильного зберігання, використання приладдя, витратних матеріалів і запчастин, що не передбачені виробником.
 - 7.2. Механічного пошкодження (відколи, тріщини і руйнування) внутрішніх і зовнішніх деталей виробу, основних і допоміжних рукояток, мережевого кабелю, що викликані зовнішнім ударним або будь-яким іншим впливом
 - 7.3. Потрапляння у вентиляційні отвори та проникнення всередину виробу сторонніх предметів, матеріалів або речовин, що не є відходами, які супроводжують застосування виробу за призначенням, такими як: стружка, тирса, пісок, та ін.
 - 7.4. Впливу на виріб несприятливих атмосферних і інших зовнішніх факторів, таких як дощ, сніг, підвищена вологість, нагрівання, агресивне середовище, невідповідність параметрів електромережі, що зазначені на інструменті.
 - 7.5. Стихійного лиха. Пошкодження або втрати виробу, що пов'язані з непереборними лихами, стихійними явищами, у тому числі внаслідок дії непереборної сили (пожежа, блискавка, потоп і інші природні явища), а також внаслідок перепадів напруги в електромережі та іншими причинами, які знаходяться поза контролем виробника.
8. Гарантійні умови не поширюються:
 - 8.1. На інструменти, що піддавалися розкриттю, ремонту або модифікації поза уповноваженим сервісним центром.
 - 8.2. На деталі, вузли та матеріали, що мають сліди природного зносу, такі як: приводні ремені і колеса, вугільні щітки, мастило, підшипники, зубчасті зчеплення редукторів, гумові ущільнення, сальники, направляючі ролики, муфти, вижимачі, бойки, штовхачі, стовпи тощо.
 - 8.3. На змінні частини: патрони, цанги, затискні гайки і фланці, фільтри, ножі, шліфувальні підшви, ланцюги, зірочки, пильні шини, захисні кожухи, пилки, абразиви, пильні і абразивні диски, фрези, свердла, бури тощо
 - 8.4. На несправності, що виникли в результаті перевантаження інструменту (як механічного, так і електричного), що спричинили вихід з ладу одночасно двох і більше деталей і вузлів, таких як: ротора і статора, обох обмоток статора, веденої і ведучої шестерень редуктора або інших вузлів і деталей. До безумовних ознак перевантаження виробу відносяться, крім інших: поява кольорів мінливості, деформація або оплвлення деталей і вузлів виробу, потемніння або обуглювання ізоляції проводів електродвигуна під впливом високої температури.

Товар отриманий в справному стані, без видимих ушкоджень, в повній комплектації, перевірений у моїй присутності, претензій щодо якості товару не маю. З умовами гарантійного обслуговування ознайомлений і згоден.

П. І. Б. та підпис власника _____

Шановні клієнти, наша мережа авторизованих сервісних центрів постійно розширюється. Актуальну інформацію про обслуговування в місті, що цікавить вас, ви можете дізнатися на сайті

www.2helpU.com

Редакція ВК/12-12-2018

Інформація про інструмент

Найменування інструменту	
Модель	
Найменування продавця	
Дата продажу	

М.П.
Продавця

Серійний номер/Дата виробництва

Інструмент	
Зарядний пристрій	
Акумулятор 1	
Акумулятор 2	

На сайті www.2helpU.com доступні наступні функції:

- Список авторизованих сервісних центрів
- Зручний пошук найближчого сервісного центру
- Керівництво з експлуатації
- Технічні характеристики
- Список деталей і запасних частин
- Схема складання інструменту



Також дану інформацію ви можете отримати, зателефонувавши за номером:
0 (800) 211 521 в Україні

ВІДМІТКА ПРО ПРОВЕДЕННЯ СЕРВІСНОГО ОБСЛУГОВУВАННЯ

№1	№2	№3	№4
№ замовлення	№ замовлення	№ замовлення	№ замовлення
Дата прийому	Дата прийому	Дата прийому	Дата прийому
Дата ремонту	Дата ремонту	Дата ремонту	Дата ремонту
Печатка і підпис сервісного центру	Печатка і підпис сервісного центру	Печатка і підпис сервісного центру	Печатка і підпис сервісного центру

